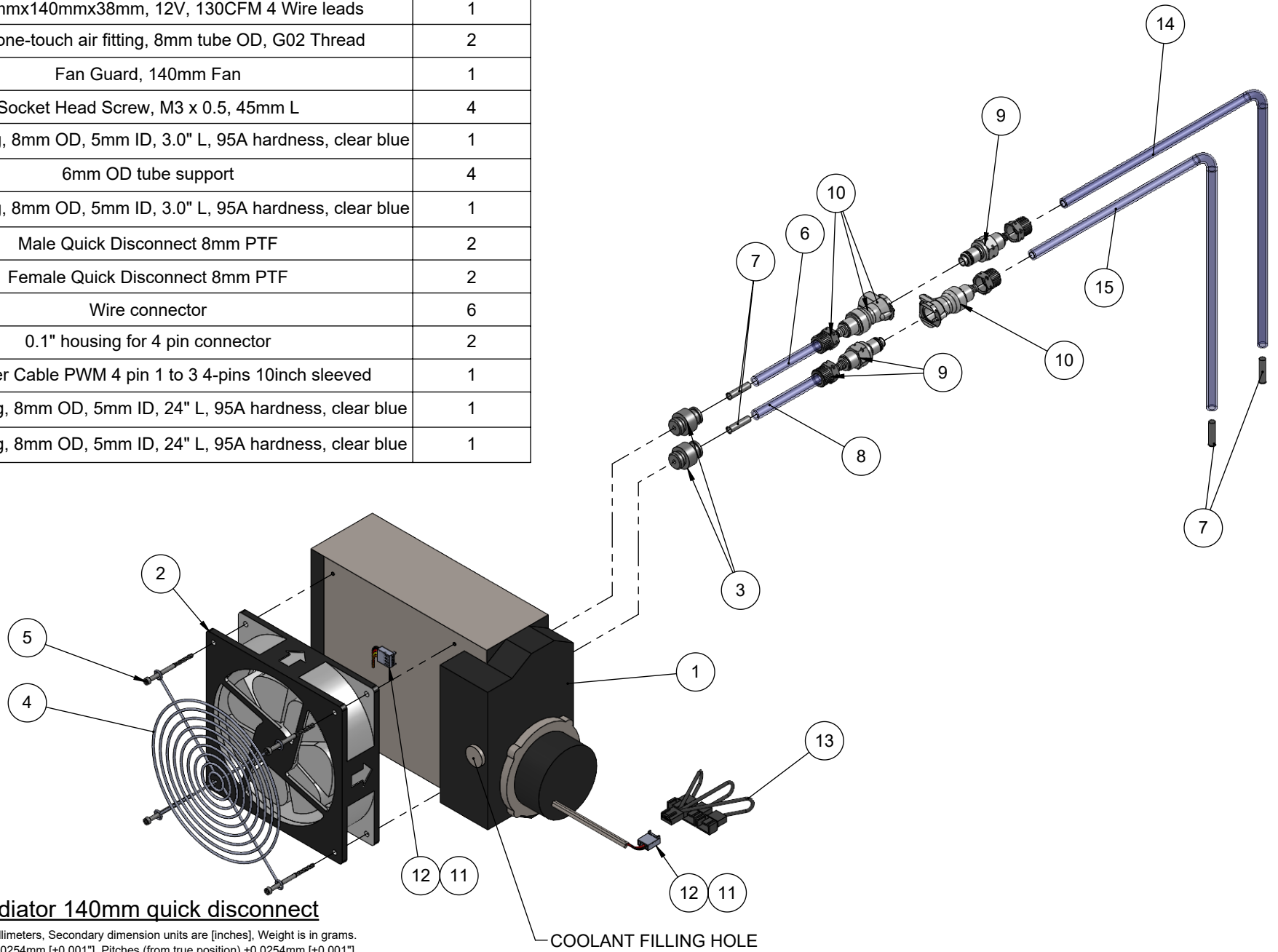



ITEM NO.	DESCRIPTION	Default/QTY.
1	Radiator 140mm, Aluminum Fins, D5 Pump	1
2	Fan140mmx140mmx38mm, 12V, 130CFM 4 Wire leads	1
3	Straight one-touch air fitting, 8mm tube OD, G02 Thread	2
4	Fan Guard, 140mm Fan	1
5	Socket Head Screw, M3 x 0.5, 45mm L	4
6	Rubber Tubing, 8mm OD, 5mm ID, 3.0" L, 95A hardness, clear blue	1
7	6mm OD tube support	4
8	Rubber Tubing, 8mm OD, 5mm ID, 3.0" L, 95A hardness, clear blue	1
9	Male Quick Disconnect 8mm PTF	2
10	Female Quick Disconnect 8mm PTF	2
11	Wire connector	6
12	0.1" housing for 4 pin connector	2
13	Fan Splitter Cable PWM 4 pin 1 to 3 4-pins 10inch sleeved	1
14	Rubber Tubing, 8mm OD, 5mm ID, 24" L, 95A hardness, clear blue	1
15	Rubber Tubing, 8mm OD, 5mm ID, 24" L, 95A hardness, clear blue	1



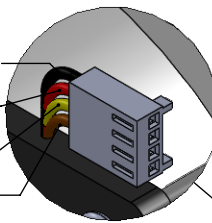
Description: Radiator 140mm quick disconnect

Primary dimension units are millimeters, Secondary dimension units are [inches], Weight is in grams.
Tolerances: Hole diameters $\pm 0.0254\text{mm}$ [$\pm 0.001"$], Pitches (from true position) $\pm 0.0254\text{mm}$ [$\pm 0.001"$],
substrate thickness tolerance $\pm 10\%$, all other tolerances $\pm 0.127\text{mm}$ [$\pm 0.005"$]
unless stated otherwise. Materials and specifications are subject to change without notice.

	THM-RAD-140-01 Drawing	STATUS: Released	SHEET: 1 OF 3	REV. E
	©2023 Ironwood Electronics, Inc. Tele: (800) 404-0204 www.ironwoodelectronics.com	ENG: J. Mei	DRAWN BY: J. Brown	SCALE: 1:4
		FILE: THM-RAD-140-01 Dwg	DATE: 11/08/2023	Weight: 517.98

Fan lead wire color code:

- Black = Ground
- Red = Power
- Yellow = Sensor
- Brown = Control



DETAIL G
SCALE 1 : 1

Connector Parts included:

- Male/ Female 1/4" / 8MM PTF Quick disconnect ,
- 2X 24" long Rubber Tubing, 8mm OD, 2X tube supports

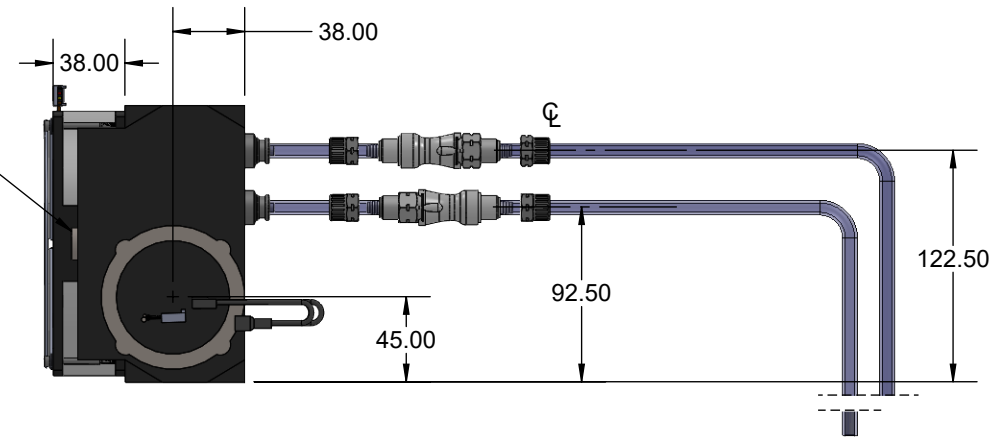
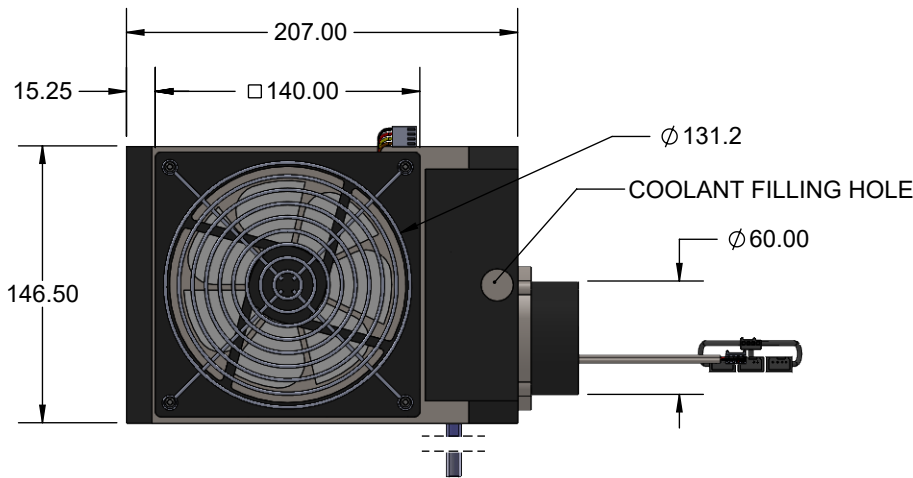
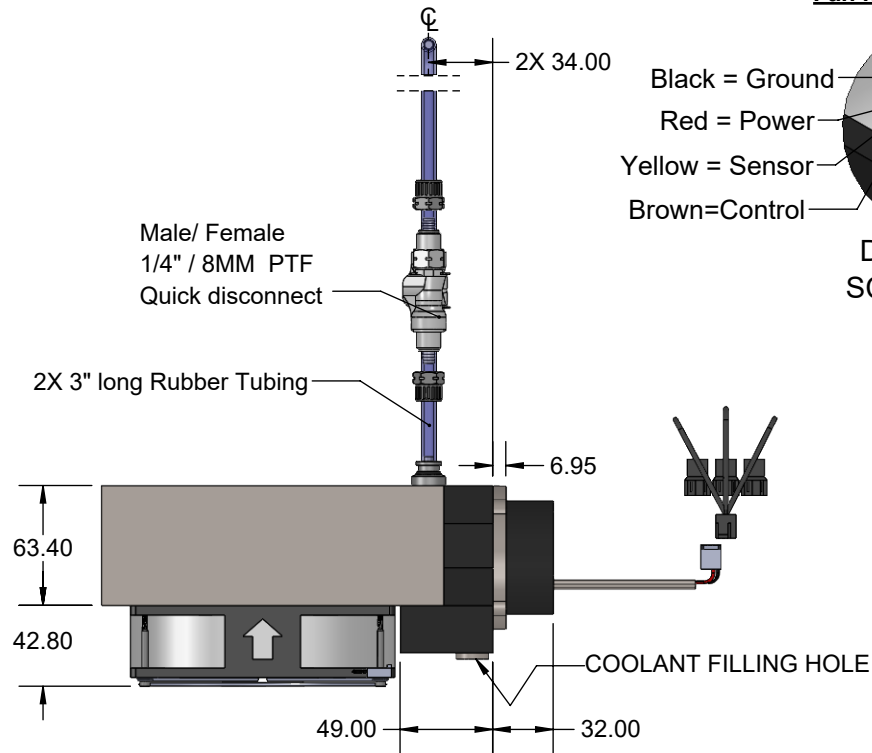
ISO VIEW

COOLANT FAN

COOLANT FILLING HOLE


Fan Splitter Cable PWM 4 pin 1 to 3 4-pins 10inch sleeved

Has a full 4 pin fan connector that sends the RPM signal to the motherboard connector for synchronizing the fan speed with the other fan



Description: Radiator 140mm quick disconnect


Primary dimension units are millimeters, Secondary dimension units are [inches], Weight is in grams.
Tolerances: Hole diameters $\pm 0.0254\text{mm}$ [± 0.001 "], Pitches (from true position) $\pm 0.0254\text{mm}$ [± 0.001 "], substrate thickness tolerance $\pm 10\%$, all other tolerances $\pm 0.127\text{mm}$ [± 0.005 "] unless stated otherwise. Materials and specifications are subject to change without notice.

	THM-RAD-140-01 Drawing	STATUS: Released	SHEET: 2 OF 3	REV. E
	©2023 Ironwood Electronics, Inc. Tele: (800) 404-0204 www.ironwoodelectronics.com	ENG: J. Mei	DRAWN BY: J. Brown	SCALE: 1:4
		FILE: THM-RAD-140-01 Dwg	DATE: 11/08/2023	Weight: 517.98

Rev	Date	Initials	Description
A	11/08/2023		Original
B	12/6/23	JB	Revised assembly to include connector parts in BOM. Added 2X connectors, 2X tube supports and 2X tubes 18" long. Extended inner tube length to 6" was 3".
C	1/22/24	MR	added coolant filling hole label
D	2/5/24	JB	Add 6" more to the longer tubing and use 3" for the shorter tubing only, Revised descriptions & instructions to match & added note for 3" tubing.
E	10/7/24	JB	Changed 1 wire from blue to brown. Added lead wire color code. Added Detail G for clarity.

Description: Radiator 140mm quick disconnect

Primary dimension units are millimeters, Secondary dimension units are [inches], Weight is in grams.
Tolerances: Hole diameters $\pm 0.0254\text{mm}$ [$\pm 0.001"$], Pitches (from true position) $\pm 0.0254\text{mm}$ [$\pm 0.001"$],
substrate thickness tolerance $\pm 10\%$, all other tolerances $\pm 0.127\text{mm}$ [$\pm 0.005"$]
unless stated otherwise. Materials and specifications are subject to change without notice.

	THM-RAD-140-01 Drawing	STATUS: Released	SHEET: 3 OF 3	REV. E
	©2023 Ironwood Electronics, Inc. Tele: (800) 404-0204 www.ironwoodelectronics.com	ENG: J. Mei	DRAWN BY: J. Brown	SCALE: 1:4
		FILE: THM-RAD-140-01 Dwg	DATE: 11/08/2023	Weight: 517.98