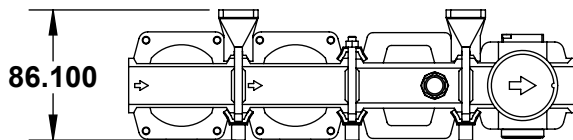
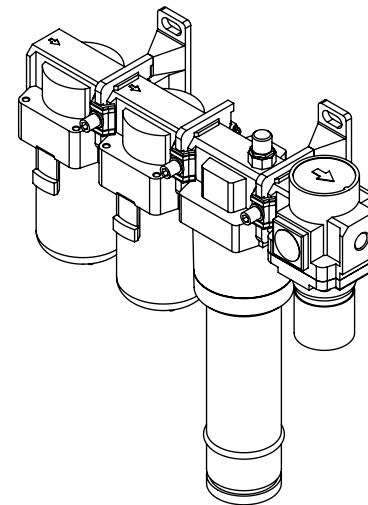


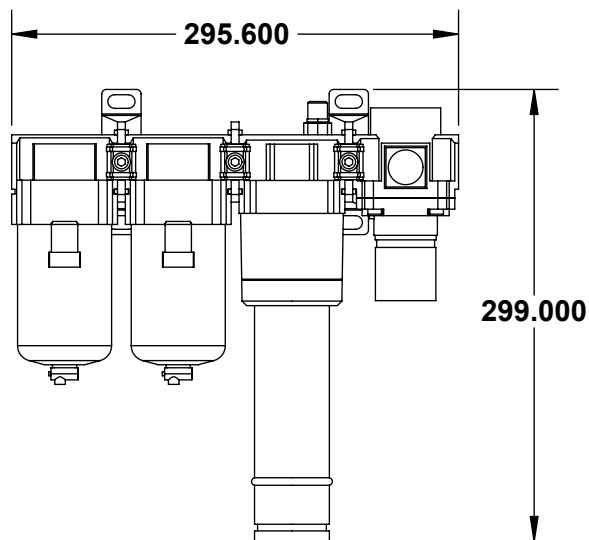
TOP VIEW



ISO VIEW



FRONT VIEW




**Specifications:**

- Size: 60
- Base Dew Point: S(-60)
- Type: A (energy saving desing)
- Equipment Connection: 4 (modular design)
- Thread: N(NPT)
- Port Size: 03 (3/8)
- Draining: Manual Valve
- Option: Standard

**Description: In line Air Dryer (60C Dew Point)**

Primary dimension units are millimeters, Secondary dimension units are [inches], Weight is in grams.  
 Tolerances: Hole diameters  $\pm 0.0254\text{mm}$  [ $\pm 0.001"$ ], Pitches (from true position)  $\pm 0.0254\text{mm}$  [ $\pm 0.001"$ ],  
 substrate thickness tolerance  $\pm 10\%$ , all other tolerances  $\pm 0.127\text{mm}$  [ $\pm 0.005"$ ]  
 unless stated otherwise. Materials and specifications are subject to change without notice.

Doc Rev	Date	Initials	Description
A	-	-	Original

	<b>THM-IL-DRYAIR Drawing</b>	STATUS: Released	SHEET: 1 OF 1	REV. A
	©2023 Ironwood Electronics, Inc. Tele: (800) 404-0204 www.ironwoodelectronics.com	ENG: S. Ayyub	DRAWN BY: S. Ayyub	SCALE: 1:5
		FILE: THM-IL-DRYAIR Dwg	DATE: 06/26/2024	Weight: 2055.726