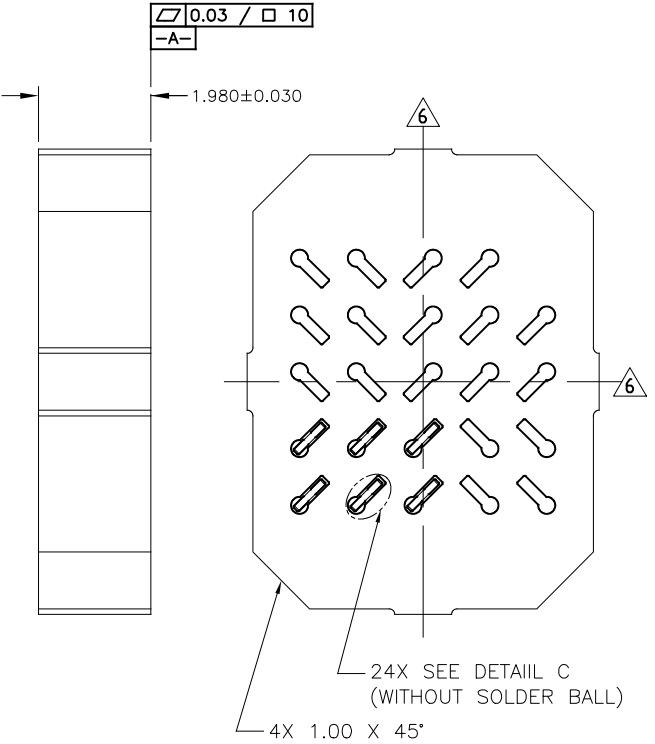
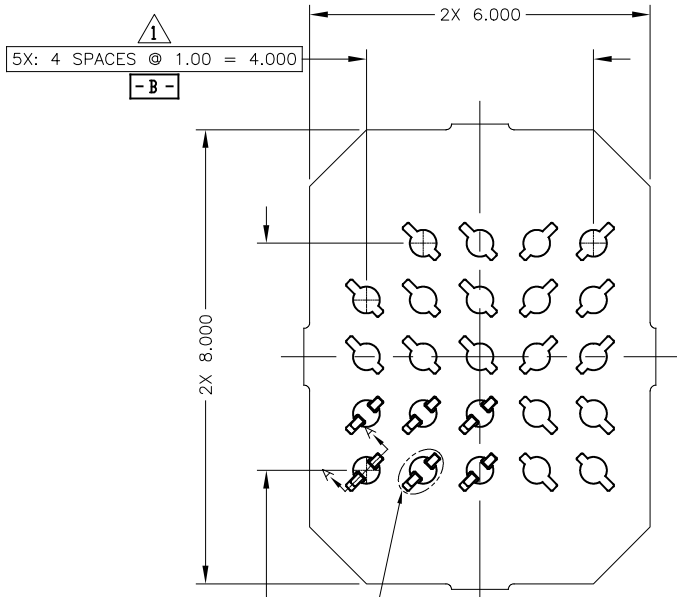
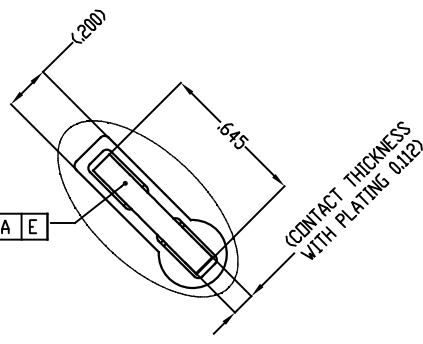
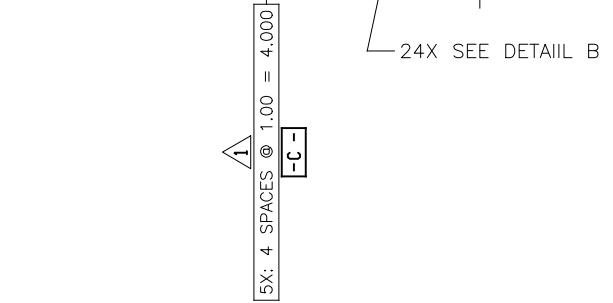


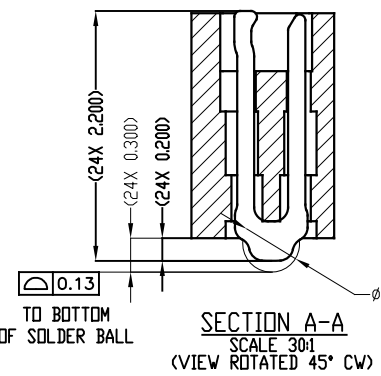
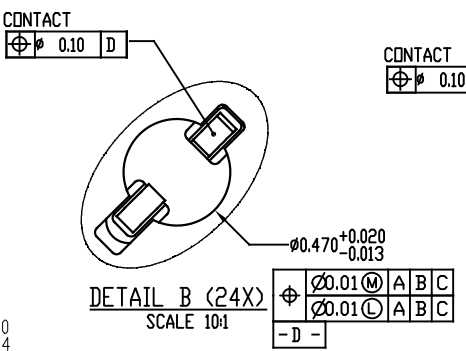
REV	ECO	BY	DESCRIPTION	APV	DATE
A	32018	RS	INITIAL DESIGN	NSJ	12/05/18
B	8347	DJP	ADDED TIE BARS AND UPDATED PARTS LIST	RS	2/21/24



- Notes:
1. Dimension locates center of slot/contact.
  2. Unless otherwise noted, all features located  $\oplus 0.10$  A B C
  3. Reference Ironwood Electronics, Inc specification 103862-0001 for Application notes.
  4. Press size is 6.00 X 8.00.
  5. Datum -B- and -C- are defined by  $\phi 0.470$  features on corner slots.
  6. -E- center of contact pattern.



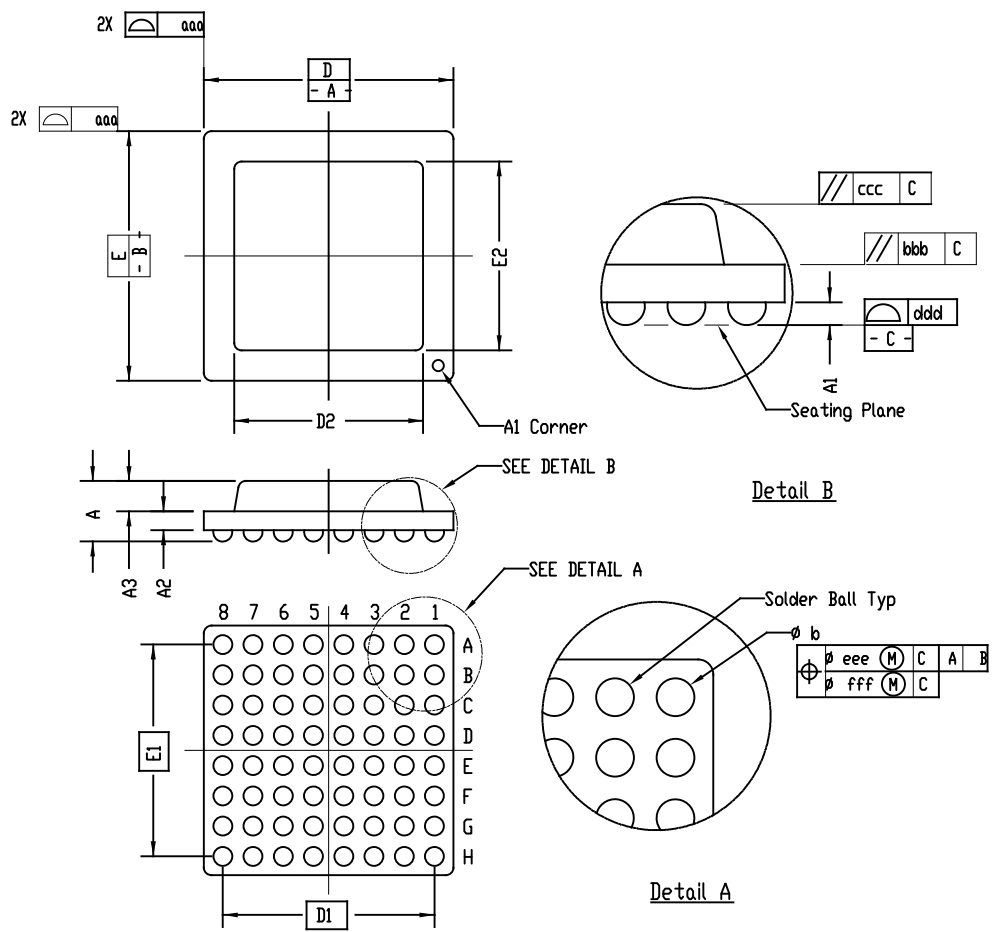
PARTS LIST	
PART NUMBER	DESCRIPTION
107282-0011	SCKT, 24G80 6X8-1.0, SAC305
107283-0010	CS, 24G80 6X8-1.0
103864-0107	PRESS, DEV INS, 6.00X8.00 (SOLD SEP.)
104553-0334	STEN,FLEX, 24G80 6X8-1.0 (SOLD SEP.)
108639-0239	FRAME, ALIGN, 6.0X8.0 (SOLD SEP.)



UNLESS OTHERWISE SPECIFIED - DIMENSIONS ARE IN MILLIMETERS - DIM'S APPLY AFTER PLATING		TOLERANCES UNLESS OTHERWISE NOTED:		THE INFORMATION CONTAINED IN THIS DRAWING IS THE SOLE PROPERTY OF IRONWOOD ELECTRONICS, INC. ANY REPRODUCTION IN PART OR WHOLE WITHOUT THE WRITTEN PERMISSION OF IRONWOOD ELECTRONICS, INC. IS PROHIBITED.	
ANGLES: $\pm 1^\circ$		X.X ±0.25		IRONWOOD ELECTRONICS, INC. 1335 EAGANDALE CT EAGAN, MN 55121. 952-229-8200	
X.XX ±0.10		X.XXX ±0.050		DRAWING APPROVALS	
X.XXX ±0.050		DRAWING APPROVALS		TITLE	
LEGEND:		DRAWN		R. SEWHARACK 12/05/18	
NOTE CALLOUT		APPROV		N. ST JACQUE 12/05/18	
REVISION CHANGE		THIRD ANGLE PROJECTION		SCKT, 24G80 6.0X8.0-1.0, SAC305	
ITEM NUMBER		SCALE		C AUTOCAD 107282-0011 B	
		SCALE		SEE B.O.M	
				SHEET 1 of 2	

SOCKET FOR DEVICES THAT ARE WITHIN THESE SPECIFICATIONS					
Lead Count	N	24	Package Size	D	6.00
Columns	ND	5	Ball Spacing	E	8.00
Rows	NE	5		D1	4.000
Pitch	e	1.00	Encapsulant/ Top Size	E1	4.000
Ball Size	b	0.40±0.05		D2	n/a
Total Thickness	A	n/a	Pattern Style	E2	n/a
Ball Height	A1	0.250 Min.		IRREGULAR*	
Substrate Thickness	A2	n/a	Perimeter Rows		n/a
Top Thickness	A3		Center Array		n/a
Form Tolerances					
Edge	aaa	0.20	Bottom	ddd	0.15
Substrate	bbb	0.20	Position	eee	0.20
top	ccc	0.20	Position	fff	0.08

ALL DIMENSIONS ARE IN MILLIMETERS.



Generic Representation with Full Grid Array

<small>THE INFORMATION CONTAINED IN THIS DRAWING IS THE SOLE PROPERTY OF IRONWOOD ELECTRONICS, INC. ANY REPRODUCTION IN PART OR WHOLE WITHOUT THE WRITTEN PERMISSION OF IRONWOOD ELECTRONICS, INC. IS PROHIBITED.</small>			
<small>UNLESS OTHERWISE SPECIFIED - DIMENSIONS ARE IN MILLIMETERS - DIM'S APPLY AFTER PLATING</small>		<b>IRONWOOD ELECTRONICS, INC.</b> 1335 EAGANDALE CT EAGAN, MN 55121. 952-229-8200	
<small>TOLERANCES UNLESS OTHERWISE NOTED:</small> ANGLES    DECIMALS ±1°        X.X        ±0.25 X.XX       ±0.10 X.XXX      ±0.050		TITLE <b>SCKT, 24G80 6.0X8.0-1.0, SAC305</b>	
LEGEND: 1 NOTE CALLOUT 2 REVISION CHANGE 3 ITEM NUMBER	DATE DRAWN <b>C</b>	DRAWING NO. <b>107282-0011</b>	REV. <b>B</b>
SCALE NATURAL		SHEET See Pg 1      2of2	