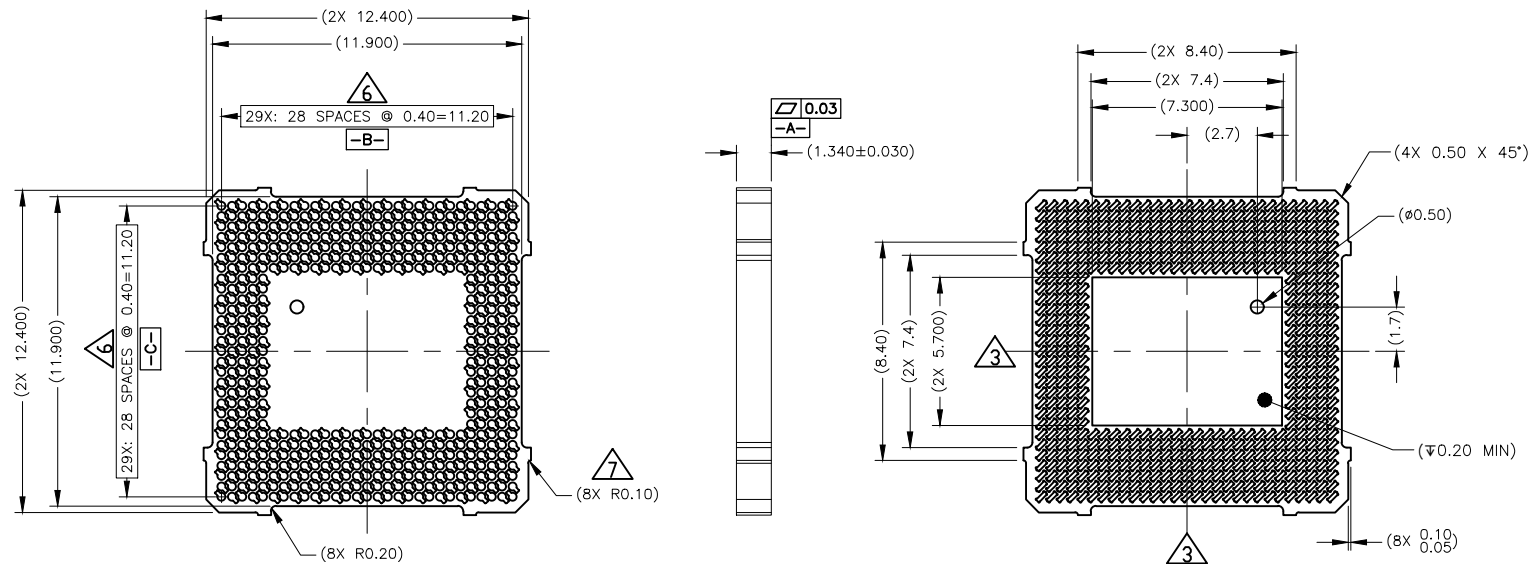


| REV | ECO   | BY | DESCRIPTION    | APV | DATE     |
|-----|-------|----|----------------|-----|----------|
| A   | 32055 | RS | INITIAL DESIGN | NSJ | 04/15/19 |



| PART NUMBER | DESCRIPTION   |
|-------------|---|
| 109116-0001 | SCKT, 556G40 12.4-0.40, P.O.P (EUTECTIC SOLDER BALLS) |
| 109116-0002 | SCKT, 556G40 12.4-0.40, P.O.P (SAC305 SOLDER BALLS)   |
| 109116-0003 | SCKT, 556G40 12.4-0.40, P.O.P (WITHOUT SOLDER BALLS)  |
| 103864-0002 | PRESS DEVICE INSERT, 12.0 X 12.0 (SOLD SEPARATELY)    |
| 104553-0470 | STENCIL, FLEX, 556G40 12.4-0.40 (SOLD SEPARATELY)     |
| 105900-0004 | EXTRACTION TOOL, 4 X 53 (SOLD SEPARATELY)             |
| 108639-0093 | ALIGNMENT FRAME, GRY 12.4 X 12.4 (SOLD SEPARATELY)    |

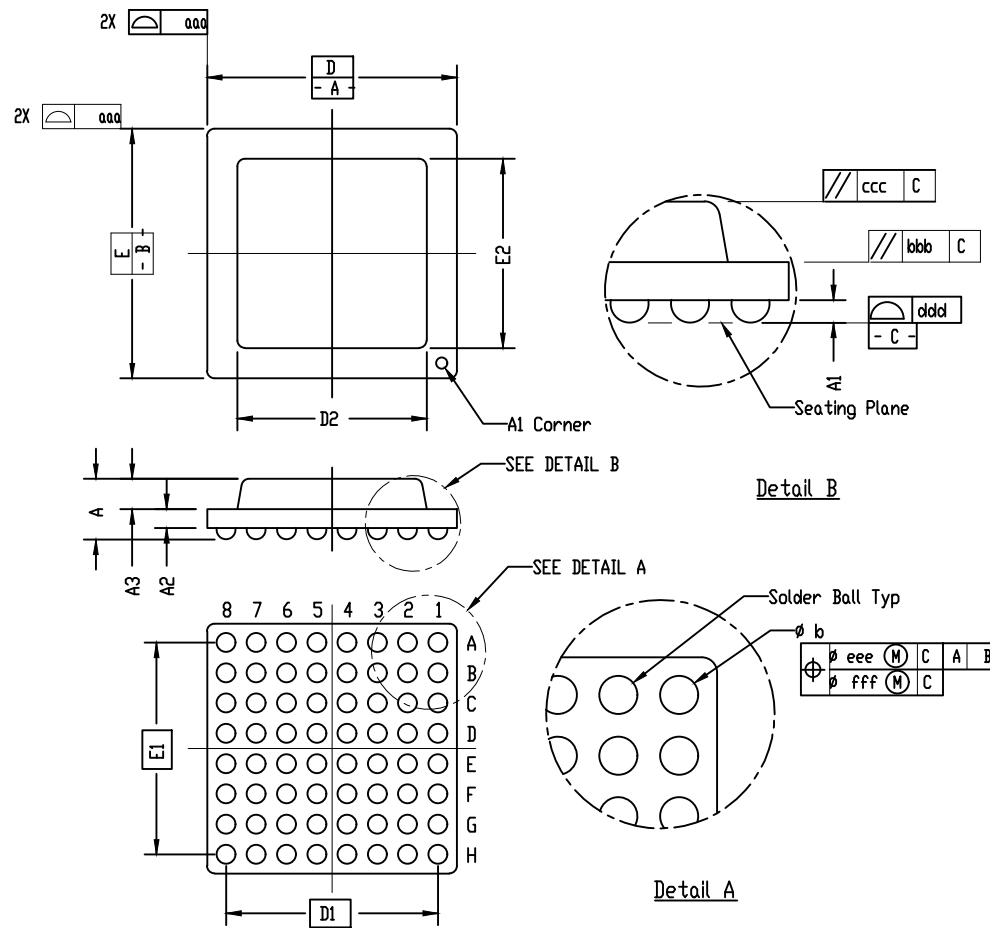
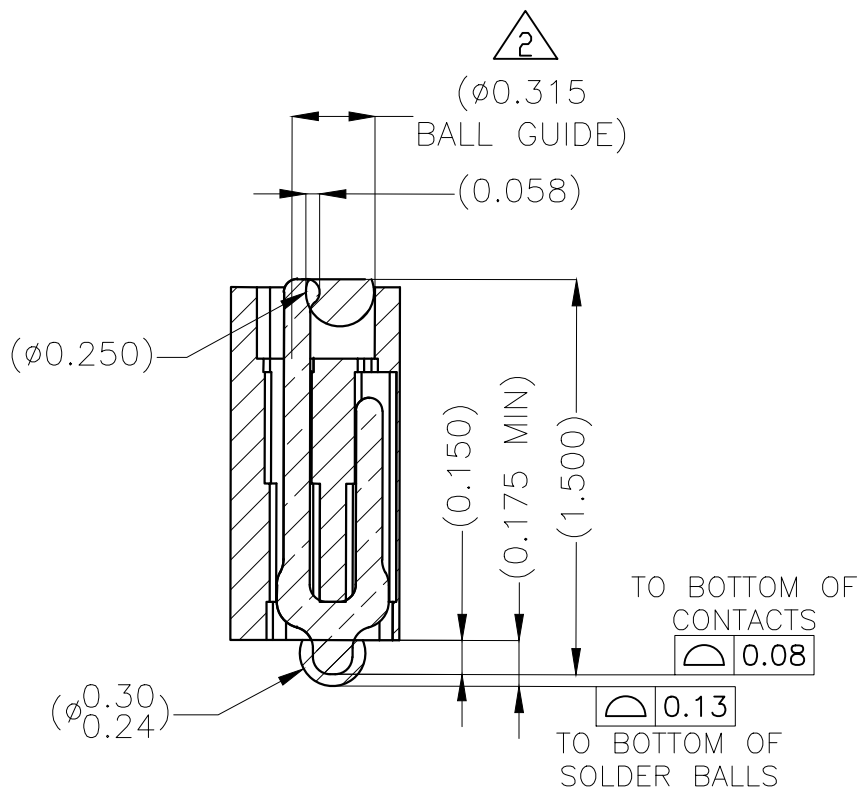
NOTES:

- UNLESS OTHERWISE NOTED, ALL FEATURES LOCATED  $\text{⌀}0.10 \text{ A B C}$
- DATUM'S  $\text{-B-}$  AND  $\text{-C-}$  ARE DETERMINED BY  $\text{⌀}0.315$  FEATURES ON CORNER SLOTS.
- CENTER OF CONTACT PATTERN.
- REFERENCE HSIO TECHNOLOGIES SPECIFICATION 700001-0001 FOR SOLDER ATTACHMENT.
- REFERENCE HSIO TECHNOLOGIES SPECIFICATION 700001-0002 FOR APPLICATION NOTES.
- DIMENSION LOCATES CENTER OF CONTACT SLOT.
- TOOLING MARKS PERMITTED. MAXIMUM 0.10 PROTRUSION SHOWN.

|  |  |                                    |  |   |  |
|--|--|------------------------------------|--|---|--|
| UNLESS OTHERWISE SPECIFIED - DIMENSIONS ARE IN MILLIMETERS - DIM'S APPLY AFTER PLATING |  | TOLERANCES UNLESS OTHERWISE NOTED: |  | THE INFORMATION CONTAINED IN THIS DRAWING IS THE SOLE PROPERTY OF HSIO TECHNOLOGIES, LLC. ANY REPRODUCTION IN PART OR WHOLE WITHOUT THE WRITTEN PERMISSION OF HSIO TECHNOLOGIES, LLC IS PROHIBITED. |  |
| DRAWING APPROVALS  |  | DRAWING APPROVALS                  |  | HSIO TECHNOLOGIES, LLC.<br>13400 68TH AVENUE NORTH<br>MAPLE GROVE, MN 55311. 763-447-6260   |  |
| NAME   |  | DATE                               |  | TITLE   |  |
| R. SEWHARACK   |  | 04/15/19                           |  | SCKT, 556G40 12.4-0.40, P.O.P, LIF  |  |
| N. ST JACQUE   |  | 04/15/19                           |  | SIZE: C   |  |
| THIRD ANGLE PROJECTION   |  | SCALE                              |  | MATERIAL: CIRLEX  |  |
| LEGEND:  |  | REV: A                             |  | SHEET 1 of 2  |  |
| NOTE CALLOUT   |  |                                    |  |   |  |
| REVISION CHANGE  |  |                                    |  |   |  |
| ITEM NUMBER  |  |                                    |  |   |  |

| SOCKET FOR DEVICES THAT ARE WITHIN THESE SPECIFICATIONS |     |           |                          |           |        |
|---|-----|-----------|--------------------------|-----------|--------|
| Lead Count  | N   | 556       | Package Size             | D         | 12.40  |
| Columns   | ND  | 29        |                          | E         | 12.40  |
| Rows  | NE  | 29        | Ball Spacing             | D1        | 11.200 |
| Pitch   | e   | 0.400     |                          | E1        | 11.200 |
| Ball Size   | b   | 0.25±0.05 | Encapsulant/<br>Top Size | D2        | N/A    |
| Total Thickness   | A   | N/A       |                          | E2        | N/A    |
| Ball Height   | A1  | 0.175 MIN | Pattern Style            | PERIMETER |        |
| Substrate Thickness                                     | A2  | N/A       | Perimeter Rows           | N/A       |        |
| Top Thickness   | A3  |           | Center Array             | N/A       |        |
| Form Tolerances   |     |           |                          |           |        |
| Edge  | aaa | N/A       | Bottom                   | ddd       | N/A    |
| Substrate   | bbb | N/A       | Position                 | eee       | N/A    |
| Top   | ccc | N/A       | Position                 | fff       | N/A    |

ALL DIMENSIONS ARE IN MILLIMETERS.



Generic Representation with Full Grid Array

|  |            |   |           |
|--|------------|---|-----------|
| THE INFORMATION CONTAINED IN THIS DRAWING IS THE SOLE PROPERTY OF HSIO TECHNOLOGIES, LLC. ANY REPRODUCTION IN PART OR WHOLE WITHOUT THE WRITTEN PERMISSION OF HSIO TECHNOLOGIES, LLC. IS PROHIBITED. |            |   |           |
| UNLESS OTHERWISE SPECIFIED<br>- DIMENSIONS ARE IN MILLIMETERS<br>- DIM'S APPLY AFTER PLATING   |            | HSIO TECHNOLOGIES, LLC.<br>13400 68TH AVENUE NORTH<br>MAPLE GROVE, MN 55311. 763-447-6260 |           |
| TOLERANCES UNLESS OTHERWISE NOTED:<br>ANGLES    DECIMALS<br>±1°        XX        ±0.25<br>XXX       ±0.10<br>XXXX       ±0.050   |            | TITLE<br>SCKT, 556G40 12.4-0.40, P.O.P, LIF   |           |
| LEGEND:<br>① NOTE CALLOUT<br>② REVISION CHANGE<br>③ ITEM NUMBER  | SCALE<br>C | DRAWING NO.<br>AUTOCAD 109116-XXXX  | REV.<br>A |
| SCALE<br>NATURAL   |            | SHEET<br>2 of 2   |           |

See Pg 1