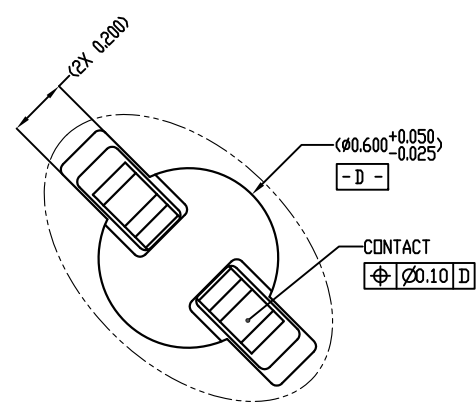


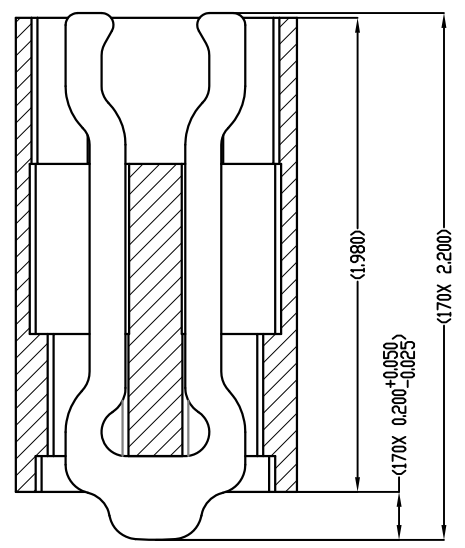
REV	ECO	BY	DESCRIPTION	APV	DATE
A	30896	JN	Initial Design	KW	09/13/11
B	31513	RS	1) Updated title block to HSD. 2) Added over-mold clearance slot.	NSJ	06/06/14

Notes:

- Footprint part number is 104311-0215.
- Locates center of contact slots.
- Press size 12.00 x 14.00.
- Datums **-B-** and **-C-** are determined by  $\phi 0.600$  opening in corner slots.
- Unless otherwise specified, all features located  $\phi 0.10$  A|B|C



DETAIL A  
SCALE 10:1

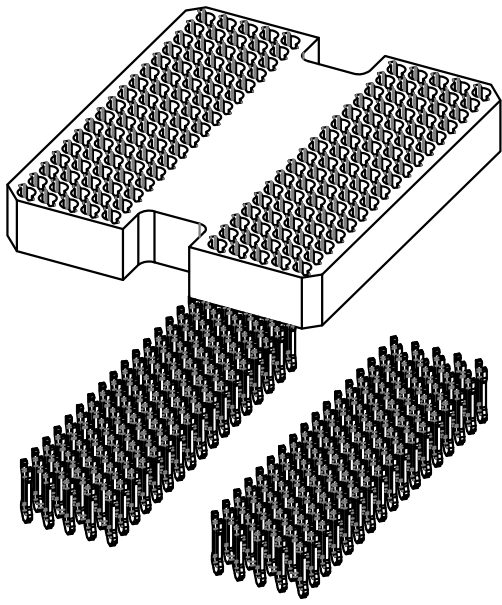
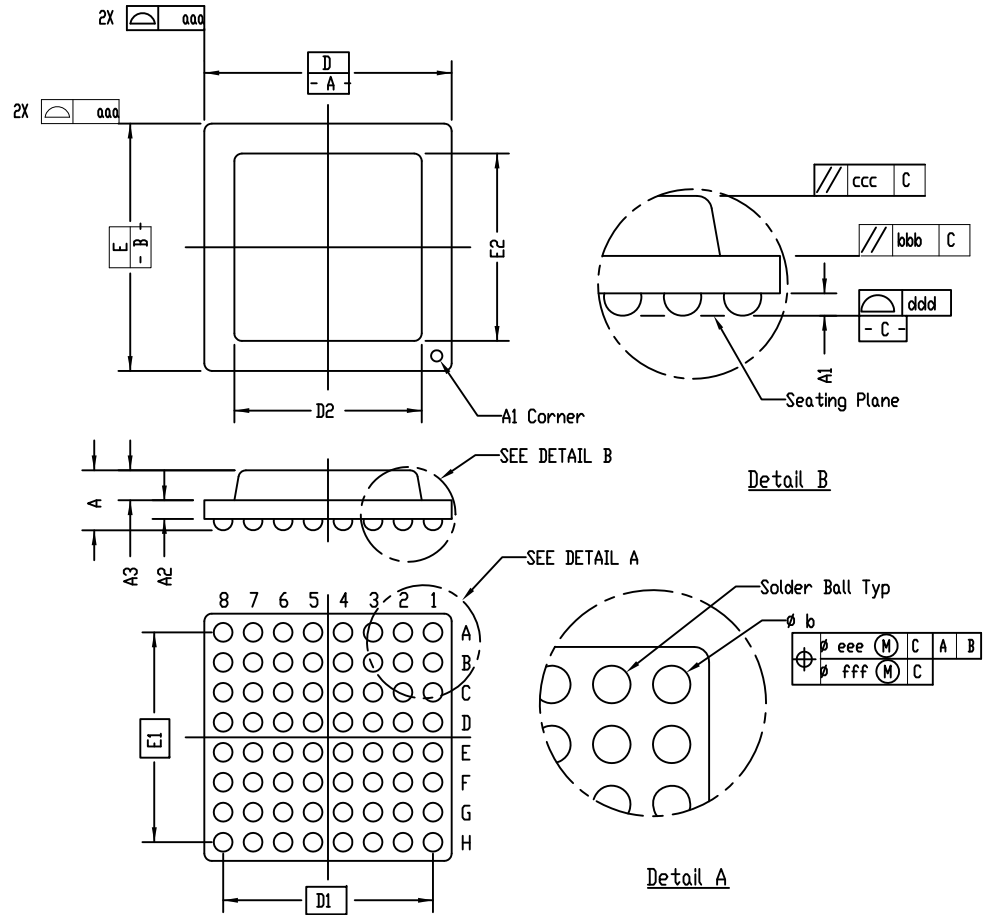


SECTION B-B  
SCALE 10:1

UNLESS OTHERWISE SPECIFIED - DIMENSIONS ARE IN MILLIMETERS - DIMS APPLY AFTER PLATING TOLERANCES UNLESS OTHERWISE NOTED: ANGLES ±1° DECIMALS XX ±0.25 XXX ±0.10 XXXX ±0.50		THE INFORMATION CONTAINED IN THIS DRAWING IS THE SOLE PROPERTY OF HSD TECHNOLOGIES, LLC. ANY REPRODUCTION IN PART OR WHOLE WITHOUT THE WRITTEN PERMISSION OF HSD TECHNOLOGIES, LLC IS PROHIBITED.	
CAD GENERATED DRAWING DO NOT MANUALLY UPDATE		HSD TECHNOLOGIES, LLC. 13300 67TH AVENUE NORTH MAPLE GROVE, MN 55311 763-447-6260	
DRAWING APPROVALS		TITLE	
NAME	DATE	SCKT, 170GRY12X14-0.80	
J. Nied	09/13/11		
S. Klanderud	09/13/11		
THIRD ANGLE PROJECTION		SCALE	REV
		C SOLIDWORKS	B
		MATERIAL	1 of 2
		SEE BDM	

Device Specification					
Lead Count	N	170	Package Size	D	12.00
Columns	ND	10		E	14.00
Rows	NE	17	Ball Spacing	D1	10.4
Pitch	e	0.800		E1	12.8
Ball Size	b	0.50±0.05	Encapsulant/ Top Size	D2	n/a
Total Thickness	A	N/A	Pattern Style	E2	n/a
Ball Height	A1	0.350±0.050	Perimeter Rows	IRREGULAR*	
Substrate Thickness	A2	n/a	Center Array	n/a	
Top Thickness	A3	n/a			
Form Tolerances					
Edge	aaa	0.20	Bottom	ddd	0.15
Substrate	bbb	0.20	Position	eee	0.20
top	ccc	0.20	Position	fff	0.08

All dimensions are in millimeters.  
\*See footprint specification for pattern details.



Generic Representation with Full Grid Array

<small>THE INFORMATION CONTAINED IN THIS DRAWING IS THE SOLE PROPERTY OF HSD TECHNOLOGIES, LLC. ANY REPRODUCTION IN PART OR WHOLE WITHOUT THE WRITTEN PERMISSION OF HSD TECHNOLOGIES, LLC IS PROHIBITED.</small>			
<small>UNLESS OTHERWISE SPECIFIED - DIMENSIONS ARE IN MILLIMETERS - DIMS APPLY AFTER PLATING TOLERANCES UNLESS OTHERWISE NOTED</small>		<b>HSD TECHNOLOGIES, LLC.</b> 13300 67TH AVENUE NORTH MAPLE GROVE, MN 55311 763-447-6260	
<small>ANGLES: XX ±0.25 XXX ±0.00 XXXX ±0.00</small>		<b>TITLE</b> SCKT, 170GRY12X14-0.80	
<b>LEGEND</b> (X) NOTE CALLOUT (1) REVISION CHANGE (X) ITEM NUMBER		<b>SIZE</b> C	<b>REV</b> B
<b>SCALE</b> See Page 1		<b>DATE</b> 104670-0034	<b>SHEET</b> 2 of 2