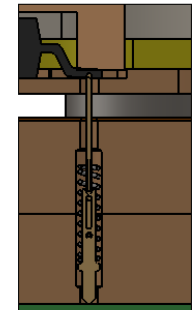
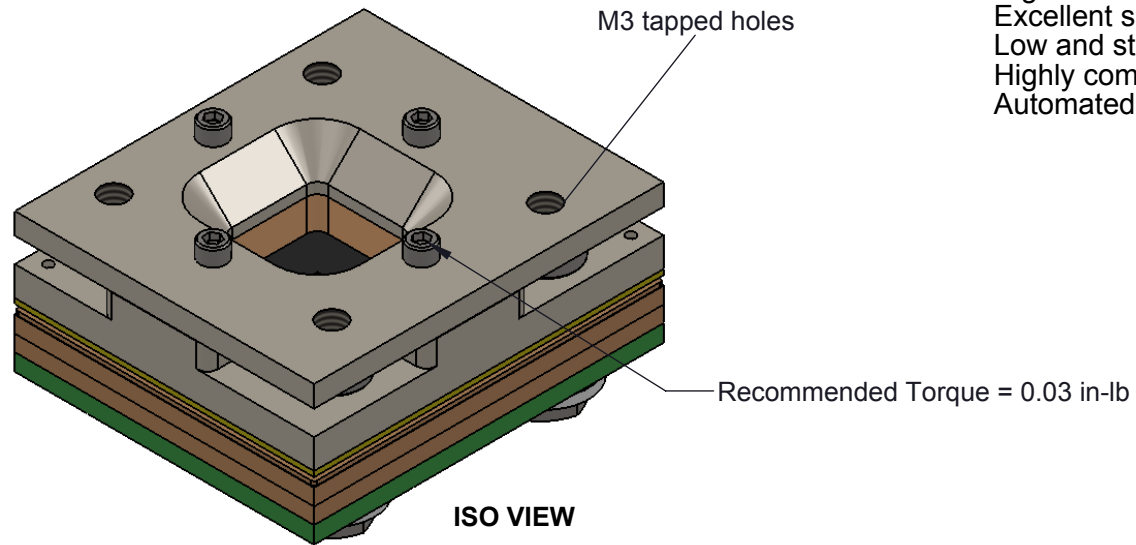


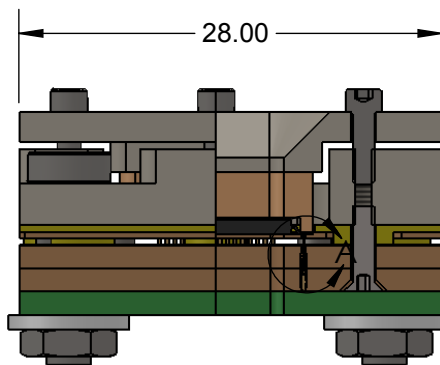
SBT-QFE DIRECT MOUNT, SOLDERLESS SOCKET FOR BURN-IN AND TEST APPLICATIONS

FEATURES:

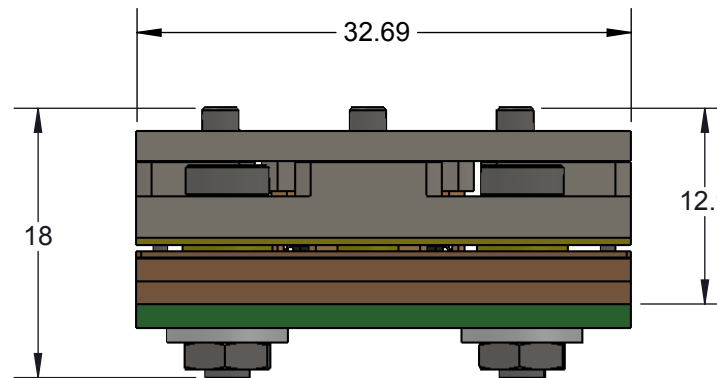
- Wide temperature range (-55C to +180C)
- High current capability (up to 6A)
- Excellent signal integrity at high frequencies
- Low and stable contact resistance for reliable production yield
- Highly compliant to accommodate wide co-planarity variations
- Automated probe manufacturing enables low cost and short lead time



**DETAIL A
SCALE 8 : 1**



FRONT VIEW




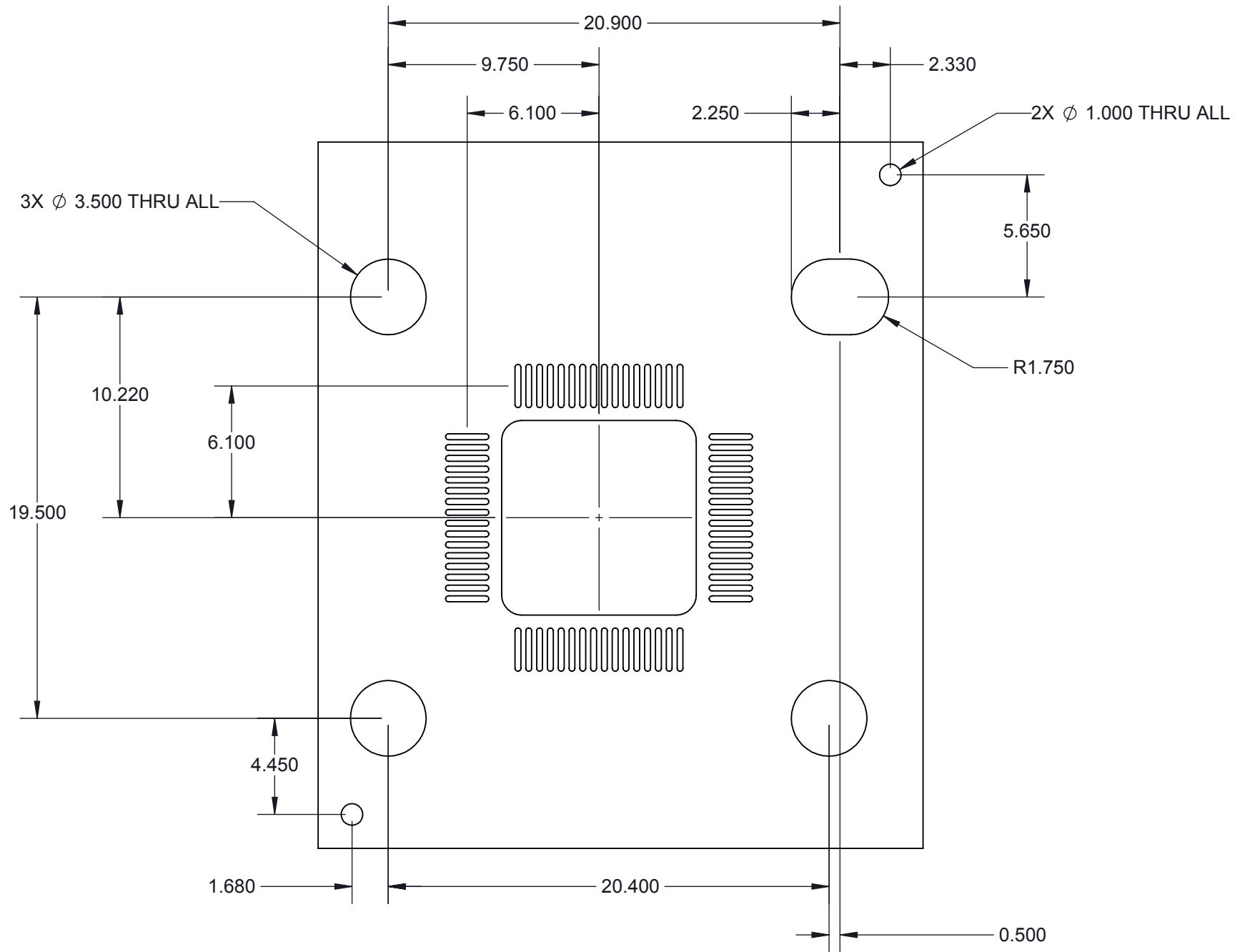
SIDE VIEW

Description: SBT-QFE64 OPEN CSTM FTPRT

Primary dimension units are millimeters, Secondary dimension units are [inches], Weight is in grams.

Tolerances: Hole diameters $\pm 0.03\text{mm}$ [$\pm 0.001"$], Pitches (from true position) $\pm 0.025\text{mm}$ [$\pm 0.001"$], substrate thickness tolerance $\pm 10\%$, all other tolerances $\pm 0.13\text{mm}$ [$\pm 0.005"$] unless stated otherwise. Materials and specifications are subject to change without notice.


 SBT-QFE-3002 Drawing Ironwood Electronics, Inc. Tele: (800) 404-0204 www.ironwoodelectronics.com	Material: N/A Finish: N/A Weight: 23.40	STATUS: Released	SHEET: 1 OF 4	REV. C
		ENG: M. A. Fedde	DRAWN BY: M. Raske	SCALE: 2:1
		FILE: SBT-QFE-3002 Dwg	DATE: 01/30/2014	



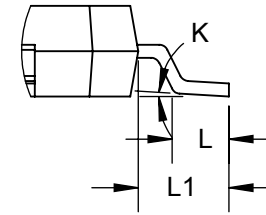
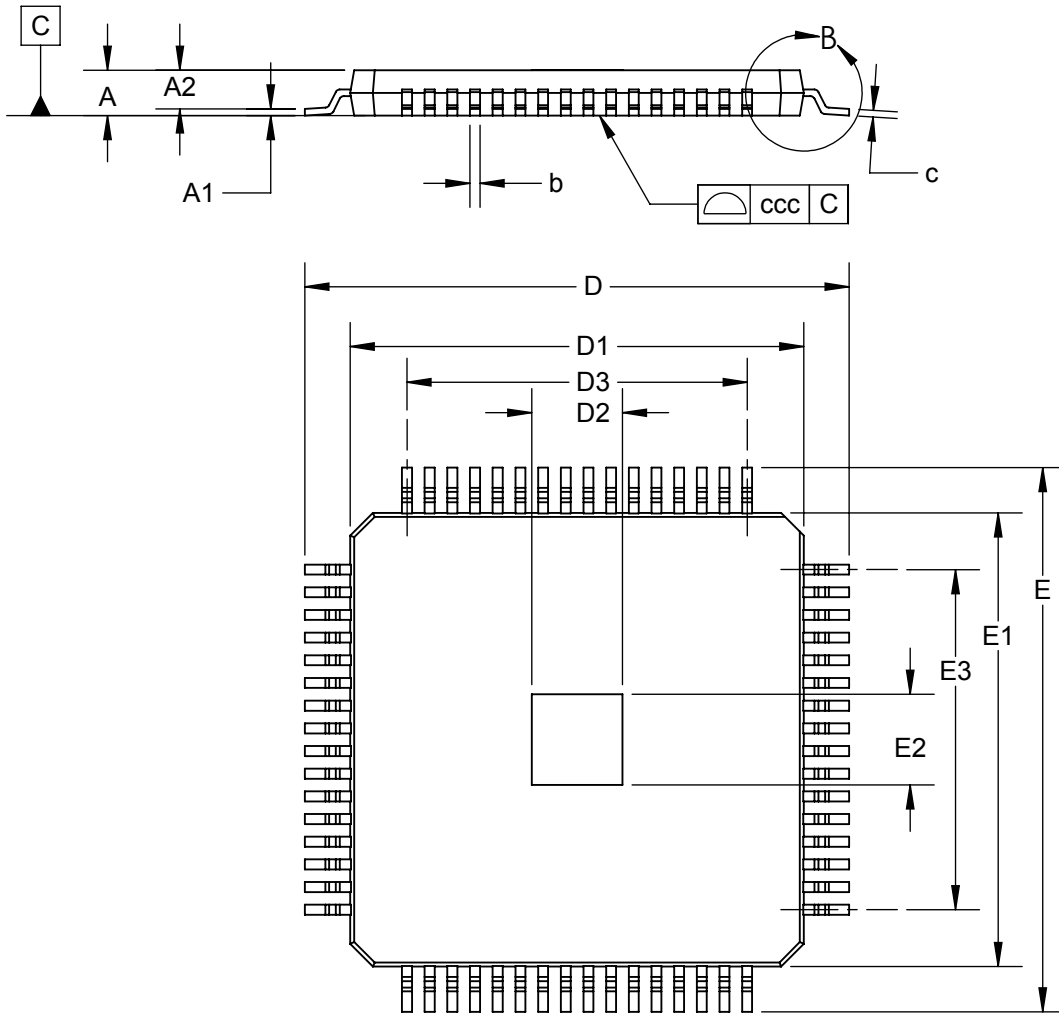
Description: Customer Supplied PCB Layout

Primary dimension units are millimeters, Secondary dimension units are [inches], Weight is in grams.

Tolerances: Hole diameters $\pm 0.0254\text{mm}$ [$\pm 0.001"$], Pitches (from true position) $\pm 0.0762\text{mm}$ [$\pm 0.003"$], substrate thickness tolerance $\pm 10\%$, all other tolerances $\pm 0.127\text{mm}$ [$\pm 0.005"$] unless stated otherwise. Materials and specifications are subject to change without notice.

 SBT-QFE-3002 Drawing Ironwood Electronics, Inc. Tele: (800) 404-0204 www.ironwoodelectronics.com	Material: N/A Finish: N/A Weight: 23.40	STATUS: Released	SHEET: 2 OF 4	REV. C
		ENG: M. A. Fedde	DRAWN BY: M. Raske	SCALE: 4:1
		FILE: SBT-QFE-3002 Dwg	DATE: 01/30/2014	

Ironwood Package Code: QFE64SL



DETAIL B
SCALE 12 : 1


1. Dimensions are in millimeters.
2. Interpret dimensions and tolerances per ASME Y14.5M-1994.

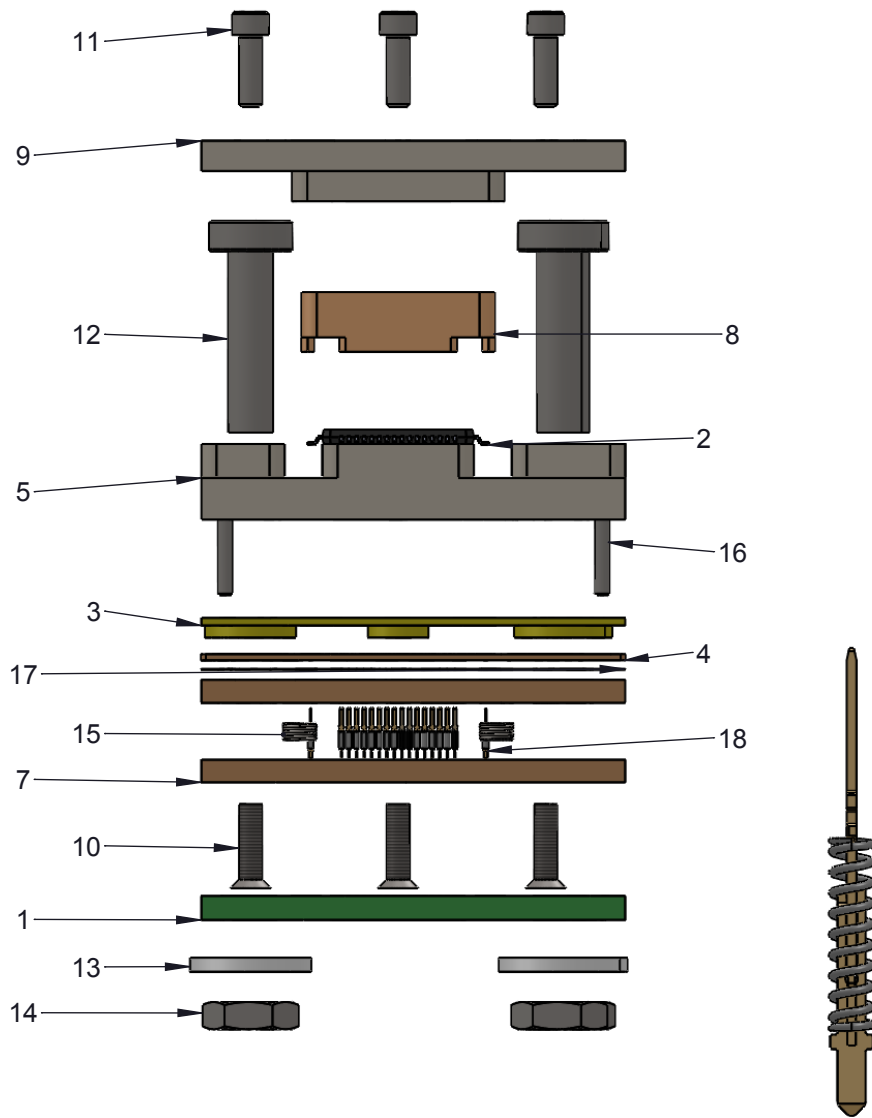
DIM	Minimum	Typ.	Maximum
A			1.090
A1	-0.040		0.040
A2	0.950	1.000	1.050
b	0.170	0.220	0.270
c	0.090		0.200
D	11.800	12.000	12.200
D2	2.000		
D3		7.500	
E	11.800	12.000	12.200
E1	9.800	10.000	10.200
E2	2.00		
E3		7.500	
e		0.500	
L	0.450	0.600	
L1		1.000	
k		3.500	7.000
ccc			0.080
PIN COUNT		64	

Description: TQFP64

Primary dimension units are millimeters, Secondary dimension units are [inches], Weight is in grams.

Tolerances: Hole diameters $\pm 0.03\text{mm}$ [$\pm 0.001"$], Pitches (from true position) $\pm 0.025\text{mm}$ [$\pm 0.001"$], substrate thickness tolerance $\pm 10\%$, all other tolerances $\pm 0.13\text{mm}$ [$\pm 0.005"$] unless stated otherwise. Materials and specifications are subject to change without notice.

 <p>SBT-QFE-3002 Drawing Ironwood Electronics, Inc. Tele: (800) 404-0204 www.ironwoodelectronics.com</p>	<p>Material: N/A Finish: N/A Weight: 23.40</p>	<p>STATUS: Released ENG: M. A. Fedde FILE: SBT-QFE-3002 Dwg</p>	<p>SHEET: 3 OF 4 DRAWN BY: M. Raske DATE: 01/30/2014</p>	<p>REV. C SCALE: 6:1</p>



**PIN DETAIL
SCALE 16:1**


ITEM NO.	Description	Material
1	Target PCB	FR4 High temp
2	CFE TQFP64 TEST CHIP	Material <not specified>
3	IC Guide, QFE64 16x16mm	Torlon 4203
4	FLT GDE OPEN QFE64 0.5MM P	Semitron MDS 100
5	SKT BS CSTM FTPRT QFE64	7075-T6 Aluminum Alloy
6	MDE GDE OPEN QFE64 0.5MM P	Semitron MDS 100
7	BTM GDE OPEN QFE64 0.5MM P	Semitron MDS 100
8	Compression Plate TQFP, 0.5mm pitch, OPEN	Ultem 1000
9	CSTM SKT LID QFE64 OPEN	7075-T6 Aluminum Alloy
10	#0-80, 90 deg., head pin guide screw, Peek material 5.5715mm overall Length	PEEK unfilled
11	#0-80 X .188 LG, SOC HD CAP SCREW, ALLOY STL, BLK OXIDE	Alloy Steel
12	Screw, M3 x 12mm, Low Head Cap, SS	18-8 Stainless Steel
13	M3 Nylon washer	Nylon 6/6
14	M3x0.5mm nut 1.8mm thick	18-8 Stainless Steel
15	Floating Guide Spring	Alloy Steel (SS)
16	Dowel Pin, M0.95 dia, 5mm long	Stainless Steel (18-8)
17	PIN ORN GDE QFE64 0.5MM P	Kapton Polyimide/Cirlex
18	SBT Pin, SBT-BGA 0.5mm-0.8mm	

Description: Socket Assy, Pin detail

Primary dimension units are millimeters, Secondary dimension units are [inches], Weight is in grams.

Tolerances: Hole diameters ±0.03mm [±0.001"], Pitches (from true position) ±0.025mm [±0.001"], substrate thickness tolerance ±10%, all other tolerances ±0.13mm [±0.005"] unless stated otherwise. Materials and specifications are subject to change without notice.

Rev	Date	Initials	Description
A	6/20/13	MAF	Original
B	09/22/14	DH	Changed IC Guide material to Torlon
C	2/4/15	RP/MR	P-P196A was P-P149A, R3200 was R1391

 SBT-QFE-3002 Drawing Ironwood Electronics, Inc. Tele: (800) 404-0204 www.ironwoodelectronics.com	Material: N/A Finish: N/A Weight: 23.40	STATUS: Released	SHEET: 4 OF 4	REV. C
		ENG: M. A. Fedde	DRAWN BY: M. Raske	SCALE: 2:1
		FILE: SBT-QFE-3002 Dwg	DATE: 01/30/2014	