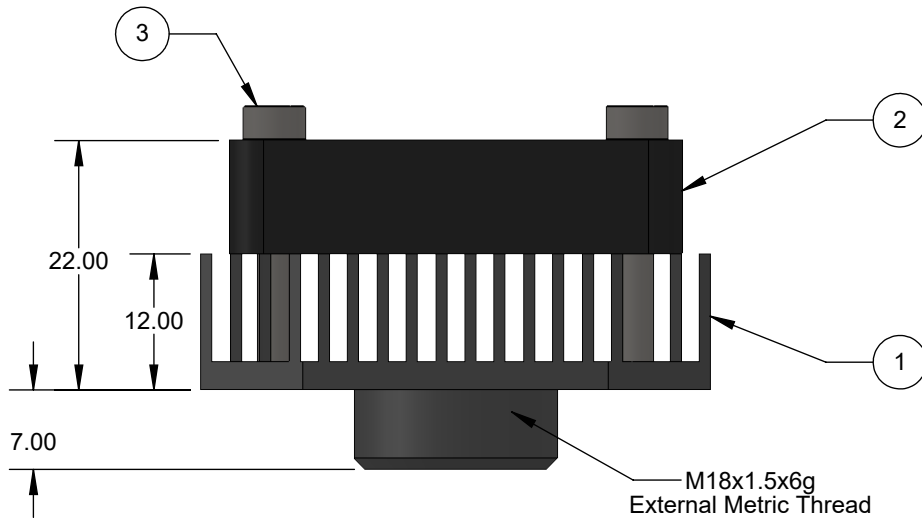
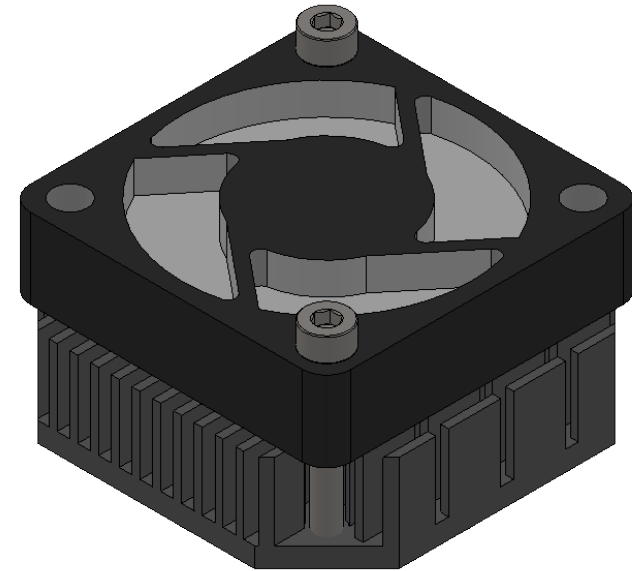
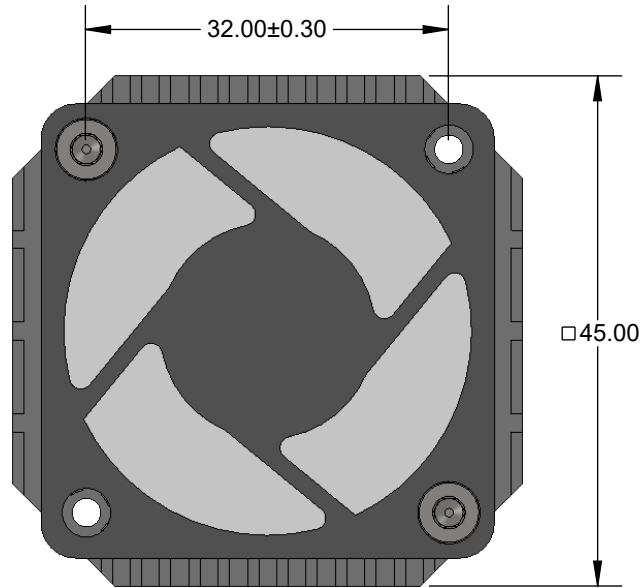


This heat sink compression screw is compatible with all Ironwood low profile swivel lid sockets for IC sizes **21mm to 29mm**, and socket lids with **M18 threads**.

Heat sink is rated for 8W




ITEM NO.	DESCRIPTION	Material
1	Compression Screw	7075-T6 Aluminum Alloy
2	Fan 40X10MM 12VDC 1.6W 9.9CFM	Material <not specified>
3	Screw, M3 x 0.5mm, 22mm lg, Low Head Cap, SS	

Description: Heat Sink Comp. Scrw

Primary dimension units are millimeters, Secondary dimension units are [inches], Weight is in grams.
Tolerances: Hole diameters ±0.0254mm [±0.001"], Pitches (from true position) ±0.0254mm [±0.001"], substrate thickness tolerance ±10%, all other tolerances ±0.127mm [±0.005"] unless stated otherwise. Materials and specifications are subject to change without notice.

Doc Rev	Date	Initials	Description
A	11/10/15	MR	Original

 HS-SG-6007 Specification Ironwood Electronics, Inc. Tele: (800) 404-0204 www.ironwoodelectronics.com	Material: N/A Finish: N/A Weight: 48.49	STATUS: Released ENG: M. A. Fedde FILE: HS-SG-6007 Dwg	SHEET: 1 OF 1 DRAWN BY: M. Raske DATE: 01/07/2016	REV. A SCALE: 3:2
---	---	--	---	----------------------