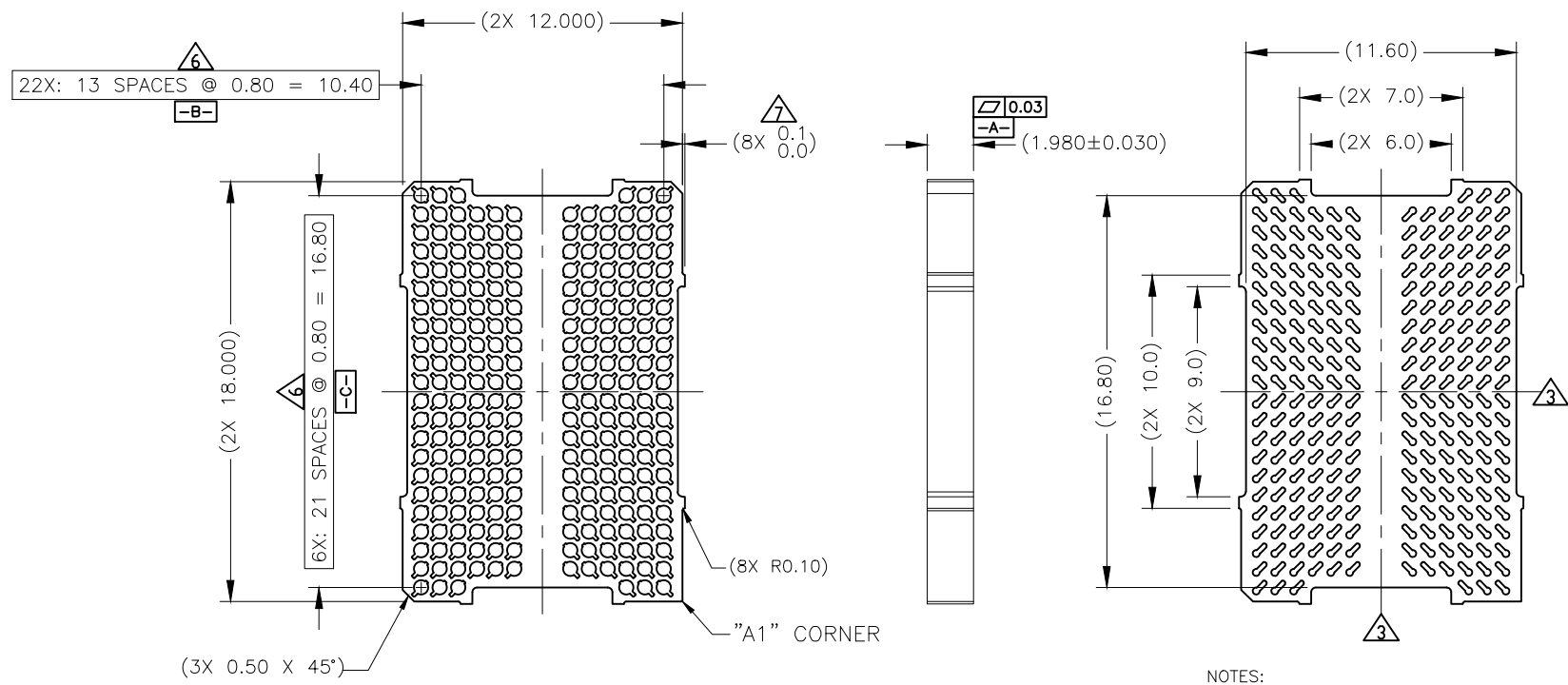


REV	ECO	BY	DESCRIPTION	APV	DATE
A	32021	RS	INITIAL DESIGN	NSJ	11/28/18



- NOTES:
- UNLESS OTHERWISE NOTED, ALL FEATURES LOCATED  $\text{Ø}0.10 \text{ A|B|C}$
  - DATUM'S  $\text{-B-}$  AND  $\text{-C-}$  ARE DETERMINED BY  $\text{Ø}0.620$  FEATURES ON CORNER SLOTS.
  - CENTER OF CONTACT PATTERN.
  - REFERENCE HSI0 TECHNOLOGIES SPECIFICATION 700001-0001 FOR SOLDER ATTACHMENT.
  - REFERENCE HSI0 TECHNOLOGIES SPECIFICATION 700001-0002 FOR APPLICATION NOTES.
  - DIMENSION LOCATES CENTER OF CONTACT SLOT.
  - TOOLING MARKS PERMITTED. MAXIMUM 0.10 PROTRUSION SHOWN.

PART NUMBER	DESCRIPTION
111041-0001	SCKT, 252G80 12.0X18.0-0.80 (EUTECTIC SOLDER BALLS)
111041-0002	SCKT, 252G80 12.0X18.0-0.80 (SAC305 SOLDER BALLS)
111041-0003	SCKT, 252G80 12.0X18.0-0.80 (WITHOUT SOLDER BALLS)
103864-0083	PRESS DEVICE, 12.0 X 18.0 (SOLD SEPARATELY)
104553-0501	STENCIL FLEX, 252BGA 12.0X18.0-0.80 (SOLD SEPARATELY)
105900-0004	EXTRACTION TOOL, 4 X 53 (SOLD SEPARATELY)

UNLESS OTHERWISE SPECIFIED - DIMENSIONS ARE IN MILLIMETERS - DIM'S APPLY AFTER PLATING

ANY REPRODUCTION IN PART OR WHOLE WITHOUT THE WRITTEN PERMISSION OF HSI0 TECHNOLOGIES, LLC, IS PROHIBITED.

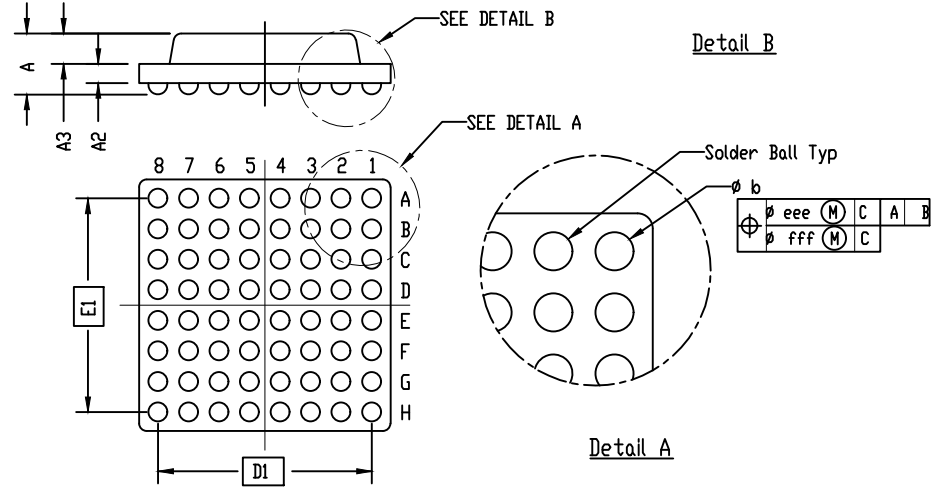
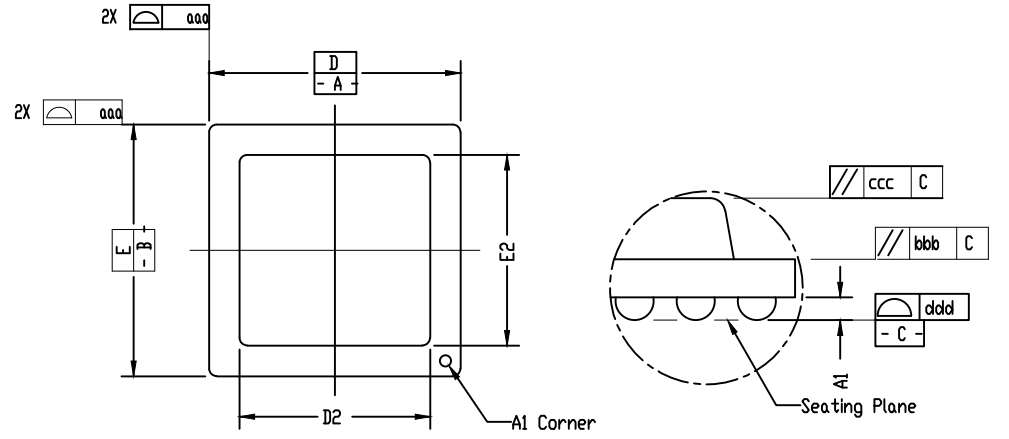
CAD GENERATED DRAWING DO NOT MANUALLY UPDATE		HSI0 TECHNOLOGIES, LLC. 13400 68TH AVENUE NORTH MAPLE GROVE, MN 55311. 763-447-6260	
DRAWING APPROVALS		TITLE	
NAME	DATE	SCKT, 252G80 12.0X18.0-0.80	
R. SEWHARACK	11/28/18	SIZE	C
N. ST JACQUE	11/28/18	CAD FORM	AUTOCAD
THIRD ANGLE PROJECTION		DRAWING NO.	111041-XXXX
		MATERIAL	SEE BOM
		REV.	A
		SHEET	1 of 2

LEGEND:

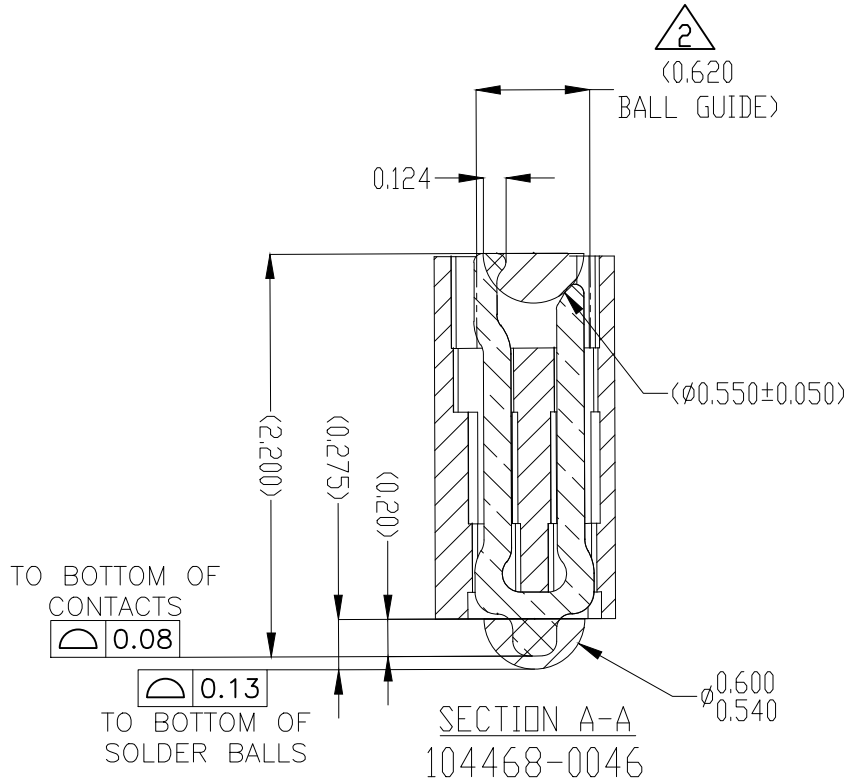
- $\triangle$  NOTE CALLOUT
- $\text{①}$  REVISION CHANGE
- $\text{⊗}$  ITEM NUMBER

SOCKET FOR DEVICES THAT ARE WITHIN THESE SPECIFICATIONS					
Lead Count	N	252	Package Size	D	12.00
Columns	ND	12		E	18.00
Rows	NE	22	Ball Spacing	D1	10.400
Pitch	e	0.800		E1	16.800
Ball Size	b	0.40-0.60	Encapsulant/ Top Size	D2	N/A
Total Thickness	A	N/A		E2	N/A
Ball Height	A1	0.200 MIN	Pattern Style	IRREGULAR	
Substrate Thickness	A2	N/A	Perimeter Rows	N/A	
Top Thickness	A3		Center Array	N/A	
Form Tolerances					
Edge	aaa	N/A	Bottom	ddd	N/A
Substrate	bbb	N/A	Position	eee	N/A
Top	ccc	N/A	Position	fff	N/A

ALL DIMENSIONS ARE IN MILLIMETERS.



Generic Representation with Full Grid Array



<small>THE INFORMATION CONTAINED IN THIS DRAWING IS THE SOLE PROPERTY OF HSIQ TECHNOLOGIES, LLC. ANY REPRODUCTION IN PART OR WHOLE WITHOUT THE WRITTEN PERMISSION OF HSIQ TECHNOLOGIES, LLC, IS PROHIBITED.</small>			
<small>UNLESS OTHERWISE SPECIFIED - DIMENSIONS ARE IN MILLIMETERS - DIM'S APPLY AFTER PLATING TOLERANCES UNLESS OTHERWISE NOTED:</small>			
ANGLES ±1	DECIMALS	<small>XX ±0.25 XXX ±0.10 XXXX ±0.050</small>	
LEGEND:	NOTE CALLOUT		
Ⓞ	REVISION CHANGE		
①	ITEM NUMBER		
HSIQ TECHNOLOGIES, LLC. 13400 68TH AVENUE NORTH MAPLE GROVE, MN 55311. 763-447-6260		TITLE <b>SCKT, 252G80 12.0X18.0-0.80</b>	
SIZE C	DWG FORMAT AUTOCAD	DRAWING NO. 111041-XXXX	REV. A
SCALE	MATERIAL See Pg 1	SHEET 2 of 2	