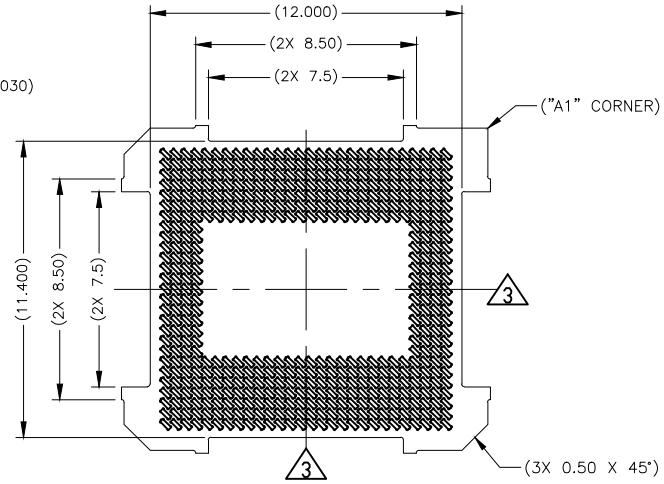
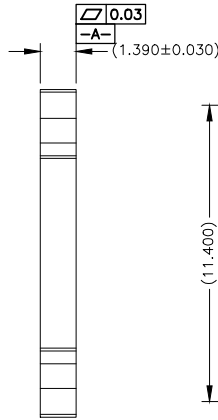
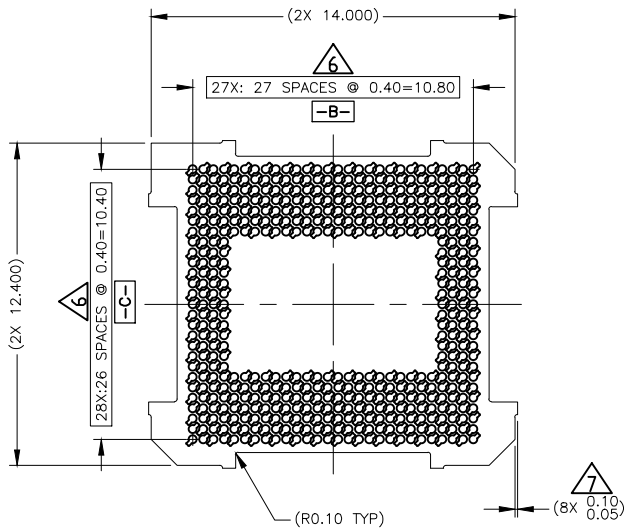


| REV | ECO | BY | DESCRIPTION | APV | DATE |
|-----|-------|----|----------------|-----|----------|
| A | 32036 | RS | INITIAL DESIGN | NSJ | 01/24/19 |



NOTES:

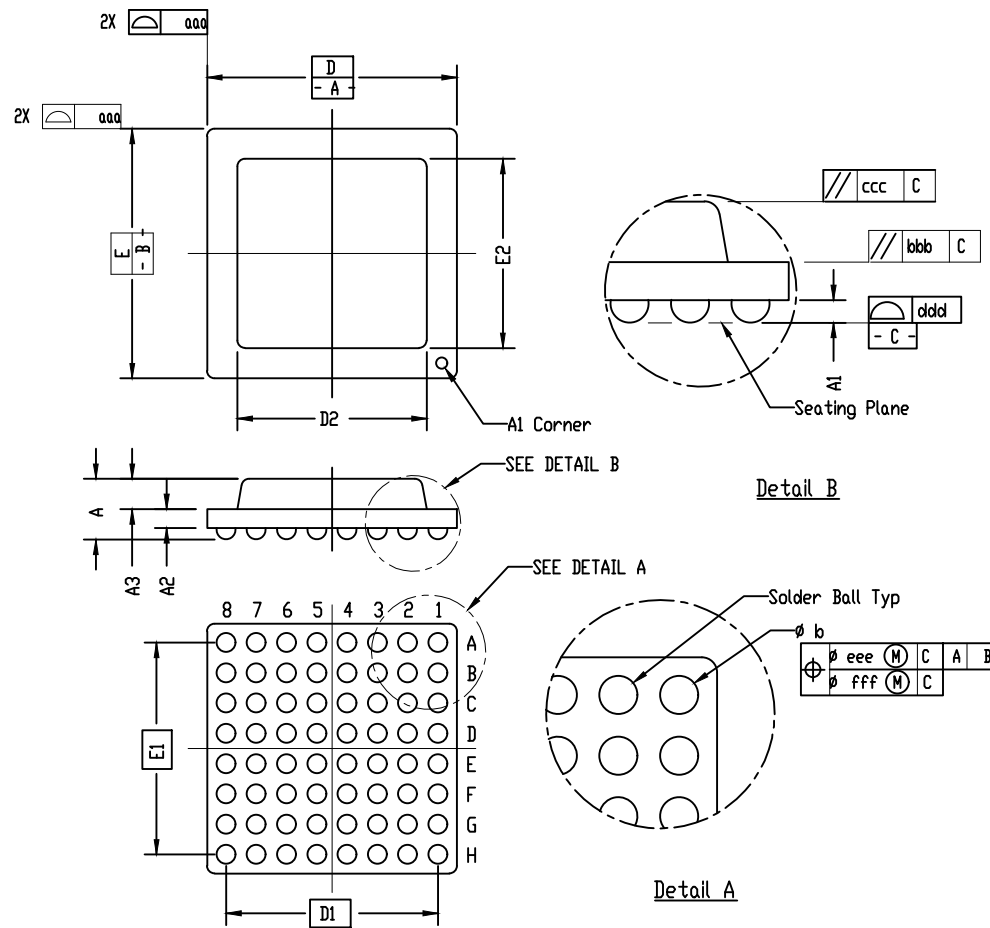
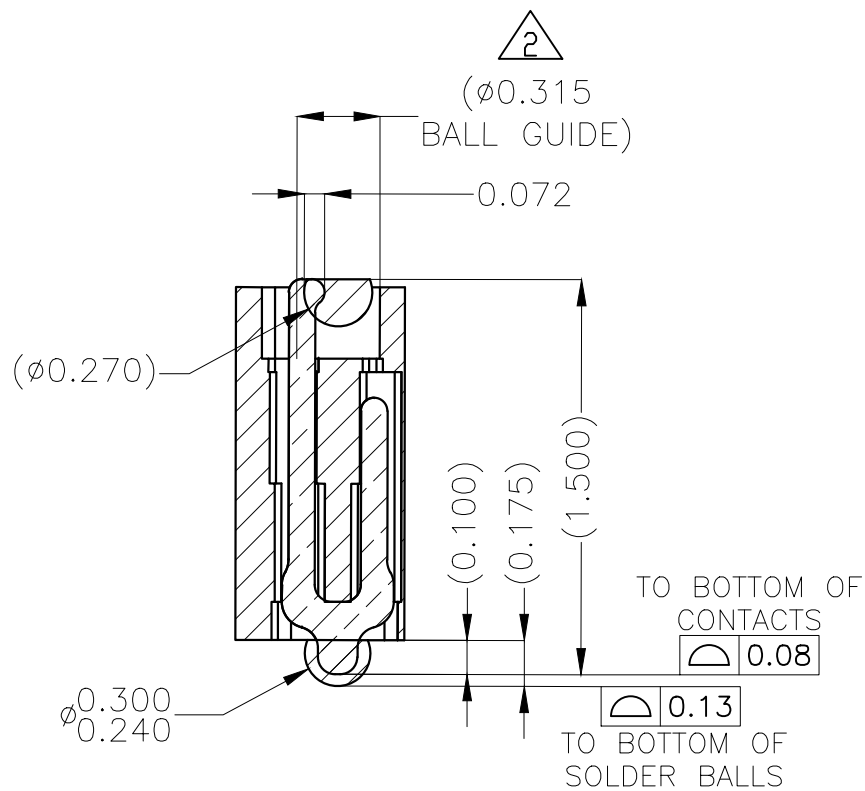
- UNLESS OTHERWISE NOTED, ALL FEATURES LOCATED $\phi 0.10$ A B C
- DATUM'S -B- AND -C- ARE DETERMINED BY $\phi 0.315$ FEATURES ON CORNER SLOTS.
- CENTER OF CONTACT PATTERN.
- REFERENCE HSIO TECHNOLOGIES SPECIFICATION 700001-0001 FOR SOLDER ATTACHMENT.
- REFERENCE HSIO TECHNOLOGIES SPECIFICATION 700001-0002 FOR APPLICATION NOTES.
- DIMENSION LOCATES CENTER OF CONTACT SLOT.
- TOOLING MARKS PERMITTED. MAXIMUM 0.10 PROTRUSION SHOWN.

| PART NUMBER | DESCRIPTION |
|-------------|--|
| 109111-0001 | SCKT, 496G40 14.0X12.4-0.40 (EUTECTIC SOLDER BALLS) |
| 109111-0002 | SCKT, 496G40 14.0X12.4-0.40 (SAC305 SOLDER BALLS) |
| 109111-0003 | SCKT, 496G40 14.0X12.4-0.40 (WITHOUT SOLDER BALLS) |
| 103864-0066 | PRESS DEVICE INSERT, 14.0 X 12.0 (SOLD SEPARATELY) |
| 104553-0508 | STENCIL, FLEX, 496BGA 14.0X12.4-0.40 (SOLD SEPARATELY) |
| 105900-0004 | EXTRACTION TOOL, 4 X 53 (SOLD SEPARATELY) |
| 108639-0119 | ALIGNMENT FRAME, GRY 14.0 X 12.4 (SOLD SEPARATELY) |

| | | | |
|--|---------------------|---|-------------------------|
| UNLESS OTHERWISE SPECIFIED - DIMENSIONS ARE IN MILLIMETERS - DIM'S APPLY AFTER PLATING | | THE INFORMATION CONTAINED IN THIS DRAWING IS THE SOLE PROPERTY OF HSIO TECHNOLOGIES, LLC. ANY REPRODUCTION IN PART OR WHOLE WITHOUT THE WRITTEN PERMISSION OF HSIO TECHNOLOGIES, LLC IS PROHIBITED. | |
| TOLERANCES UNLESS OTHERWISE NOTED: | | CAD GENERATED DRAWING DO NOT MANUALLY UPDATE | |
| ANGLES DECIMALS ±1° X.X 40.25 X.XX ±0.10 X.XXX ±0.050 | | DRAWING APPROVALS | |
| LEGEND: | | HSIO TECHNOLOGIES, LLC. 13400 68TH AVENUE NORTH MAPLE GROVE, MN 55311. 763-447-6260 | |
| (X) NOTE CALLOUT | (R) REVISION CHANGE | NAME | DATE |
| (X) ITEM NUMBER | | R. SEWHARACK | 01/24/19 |
| | | N. ST JACQUE | 01/24/19 |
| | | TITLE: SCKT, 496G40 14.0X12.4-0.40 | |
| | | SIZE: C | SCALE: 1:1 |
| | | CAD FORMAT: AUTOCAD | DRAWING NO: 109111-XXXX |
| | | MATERIAL: CIRLEX | REV: A |
| | | | SHEET 1 of 2 |

| SOCKET FOR DEVICES THAT ARE WITHIN THESE SPECIFICATIONS | | | | | |
|---|-----|-----------|--------------------------|-----------|--------|
| Lead Count | N | 496 | Package Size | D | 14.00 |
| Columns | ND | 28 | | E | 12.40 |
| Rows | NE | 27 | Ball Spacing | D1 | 10.800 |
| Pitch | e | 0.400 | | E1 | 10.400 |
| Ball Size | b | 0.25±0.05 | Encapsulant/ Top Size | D2 | N/A |
| Total Thickness | A | N/A | | E2 | N/A |
| Ball Height | A1 | 0.175 MIN | Pattern Style | PERIMETER | |
| Substrate Thickness | A2 | N/A | Perimeter Rows | VAR | |
| Top Thickness | A3 | | Center Array | 15 X 12 | |
| Form Tolerances | | | | | |
| Edge | aaa | N/A | Bottom | ddd | N/A |
| Substrate | bbb | N/A | Position | eee | N/A |
| Top | ccc | N/A | Position | fff | N/A |

ALL DIMENSIONS ARE IN MILLIMETERS.



| | | | |
|--|------------|---|-----------|
| THE INFORMATION CONTAINED IN THIS DRAWING IS THE SOLE PROPERTY OF HSIO TECHNOLOGIES, LLC. ANY REPRODUCTION IN PART OR WHOLE WITHOUT THE WRITTEN PERMISSION OF HSIO TECHNOLOGIES, LLC. IS PROHIBITED. | | | |
| UNLESS OTHERWISE SPECIFIED - DIMENSIONS ARE IN MILLIMETERS - DIM'S APPLY AFTER PLATING | | HSIO TECHNOLOGIES, LLC. 13400 68TH AVENUE NORTH MAPLE GROVE, MN 55311. 763-447-6260 | |
| TOLERANCES UNLESS OTHERWISE NOTED: ANGLES DECIMALS ±1° XX ±0.25 XXX ±0.10 XXXX ±0.050 | | TITLE SCKT, 496G40 14.0X12.4-0.40 | |
| LEGEND: ① NOTE CALLOUT ② REVISION CHANGE ③ ITEM NUMBER | SCALE C | DRAWING NO. AUTOCAD 109111-XXXX | REV. A |
| SCALE NATURAL | | SHEET 2 of 2 | |

See Pg 1