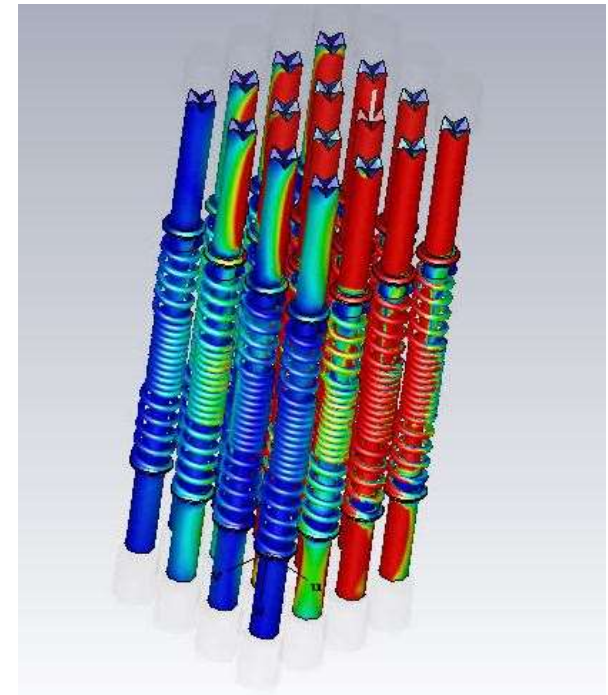




Ironwood Electronics, Inc

S-parameter simulation for 0.3mm pitch P-P213A pin
(Configuration: G-S-G)

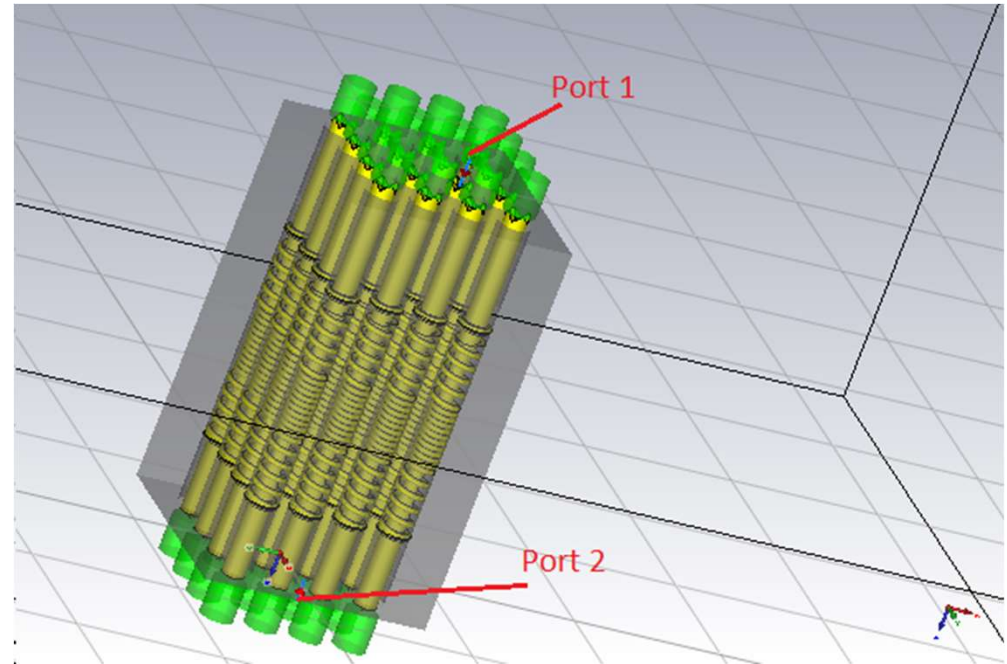
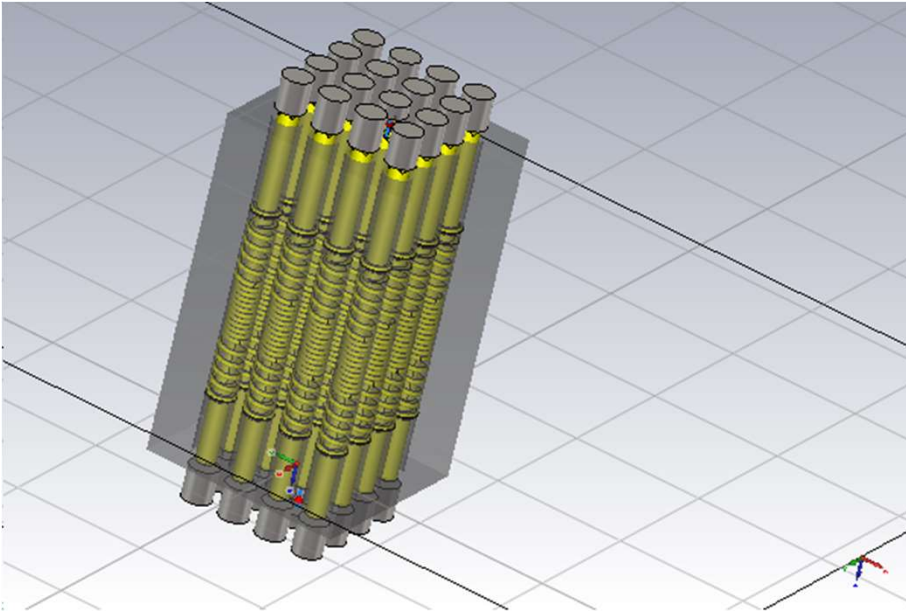
Software: CST MWS



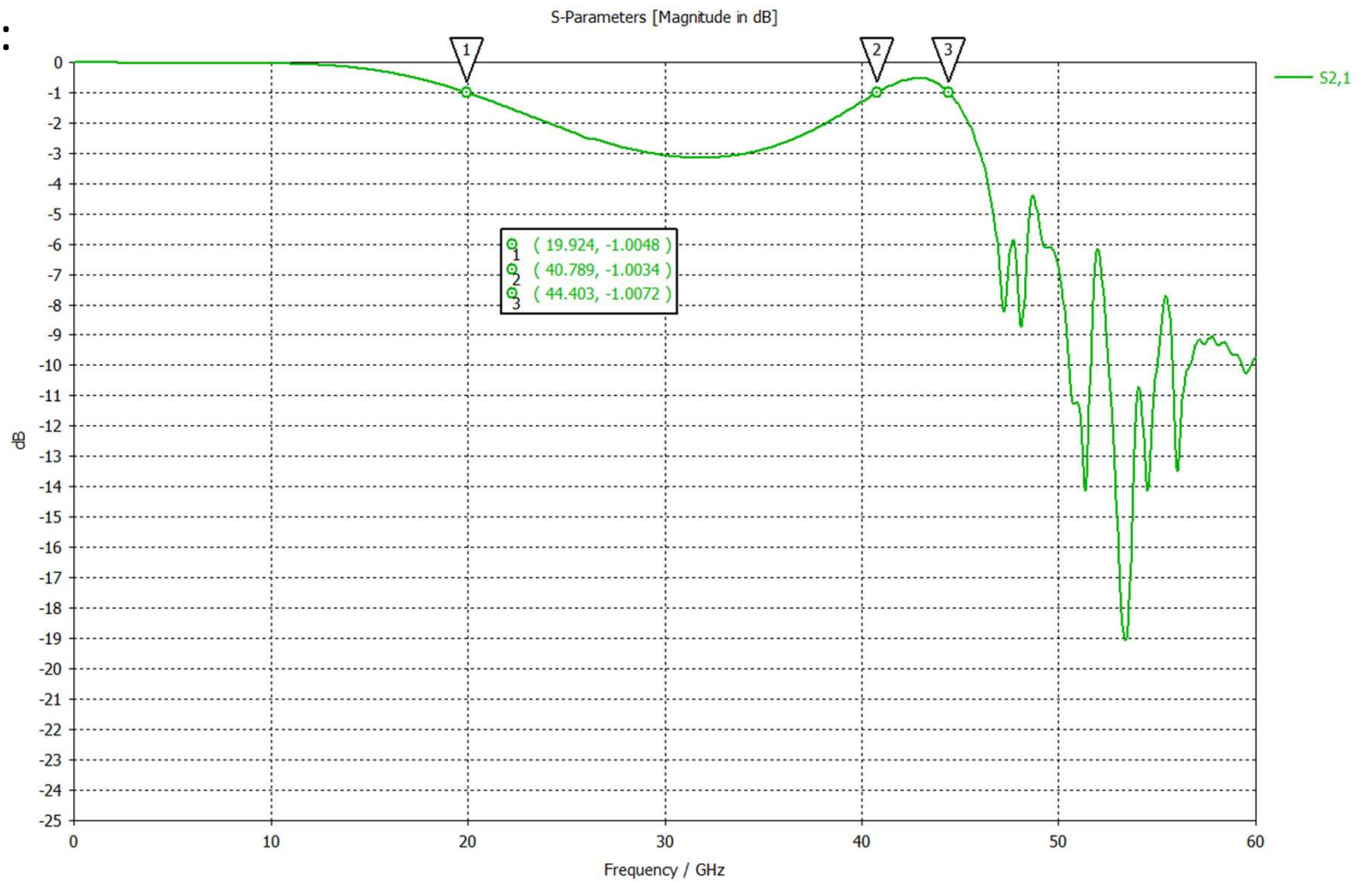
0.3mm pitch P-P213A pin: Configuration (G-S-G); 2 ports (50Ω)

Model (4 x 4 array)

Port Mapping

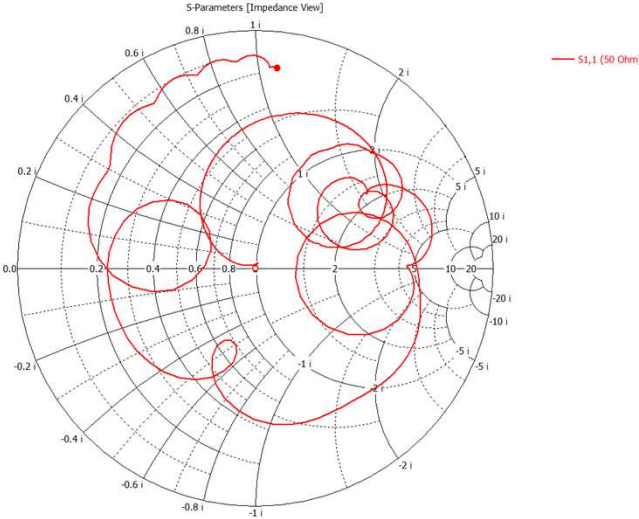
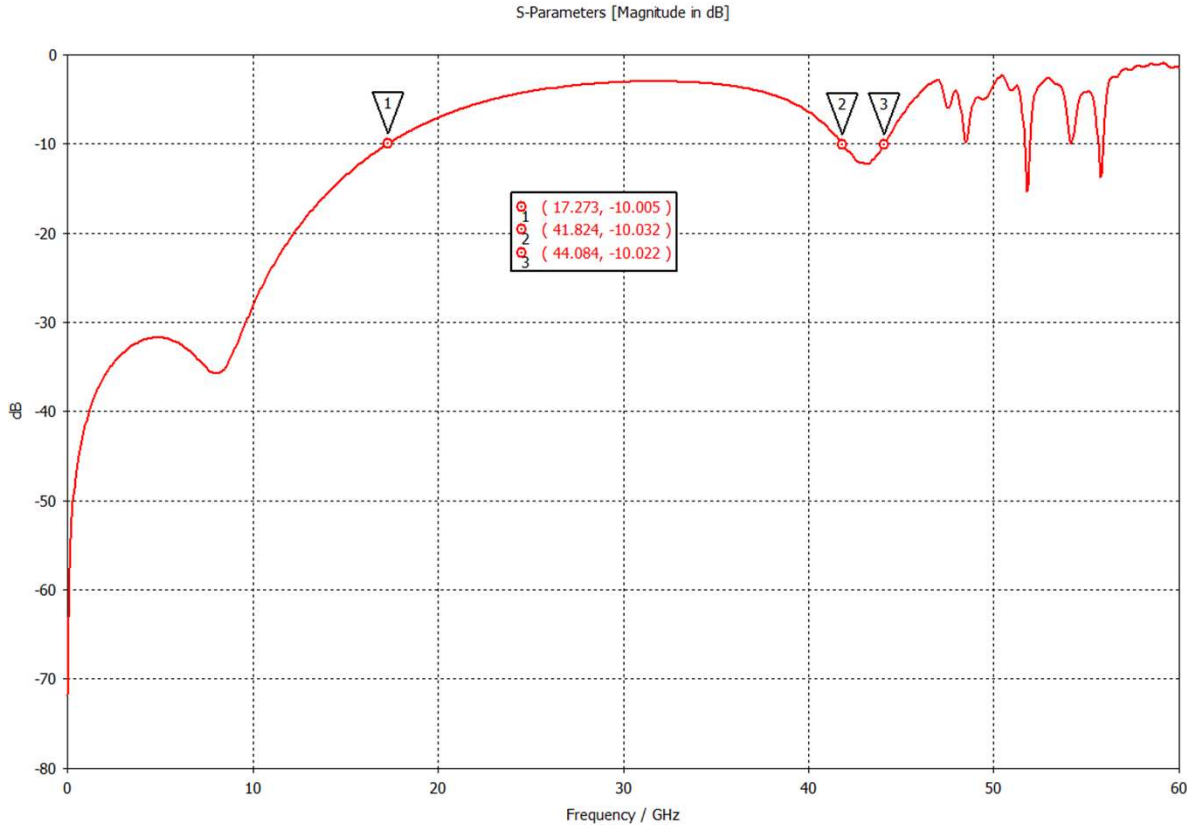


Insertion loss:

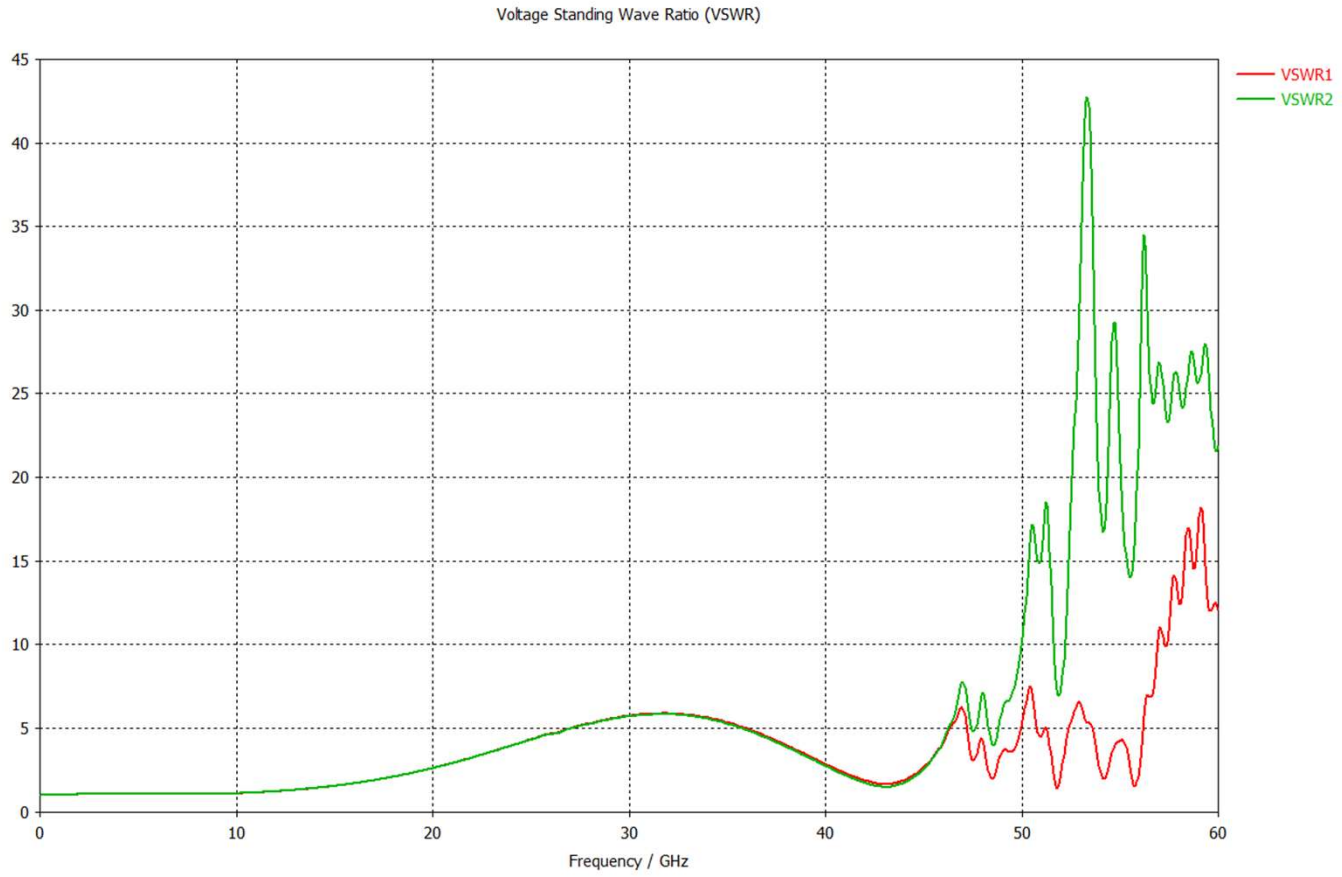


Return loss:

Smith Chart:



VSWR:



Self capacitance and Self inductance (Simulated):

Network Parameter Results

```
Solver type      = Transient analysis
Frequency        = 1
Number of cascades = 1
```

```
C( 1, 1)
```

```
-----
3.567096e-13
```

```
L( 1, 1)
```

```
-----
8.163899e-10
```