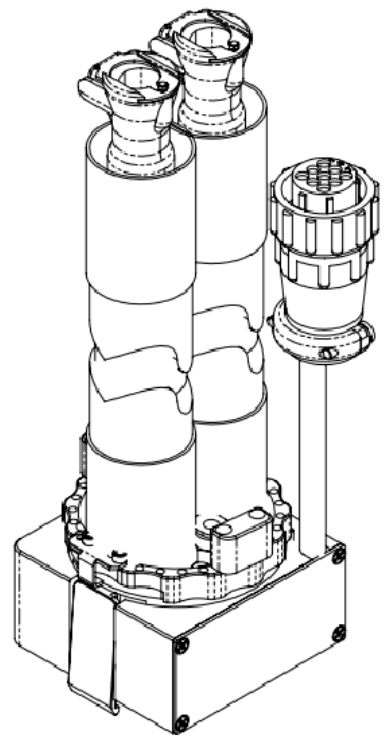
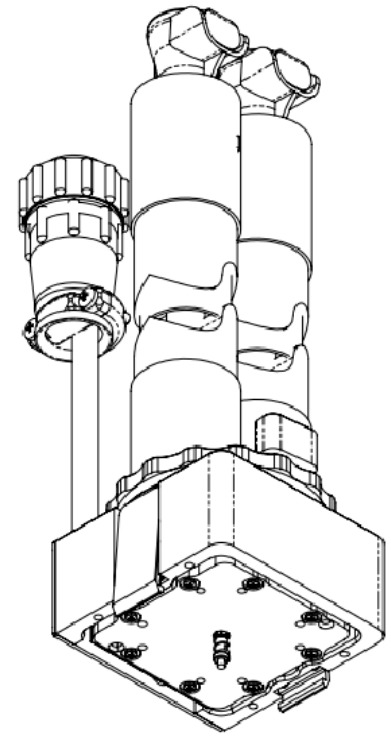



SECTION A-A

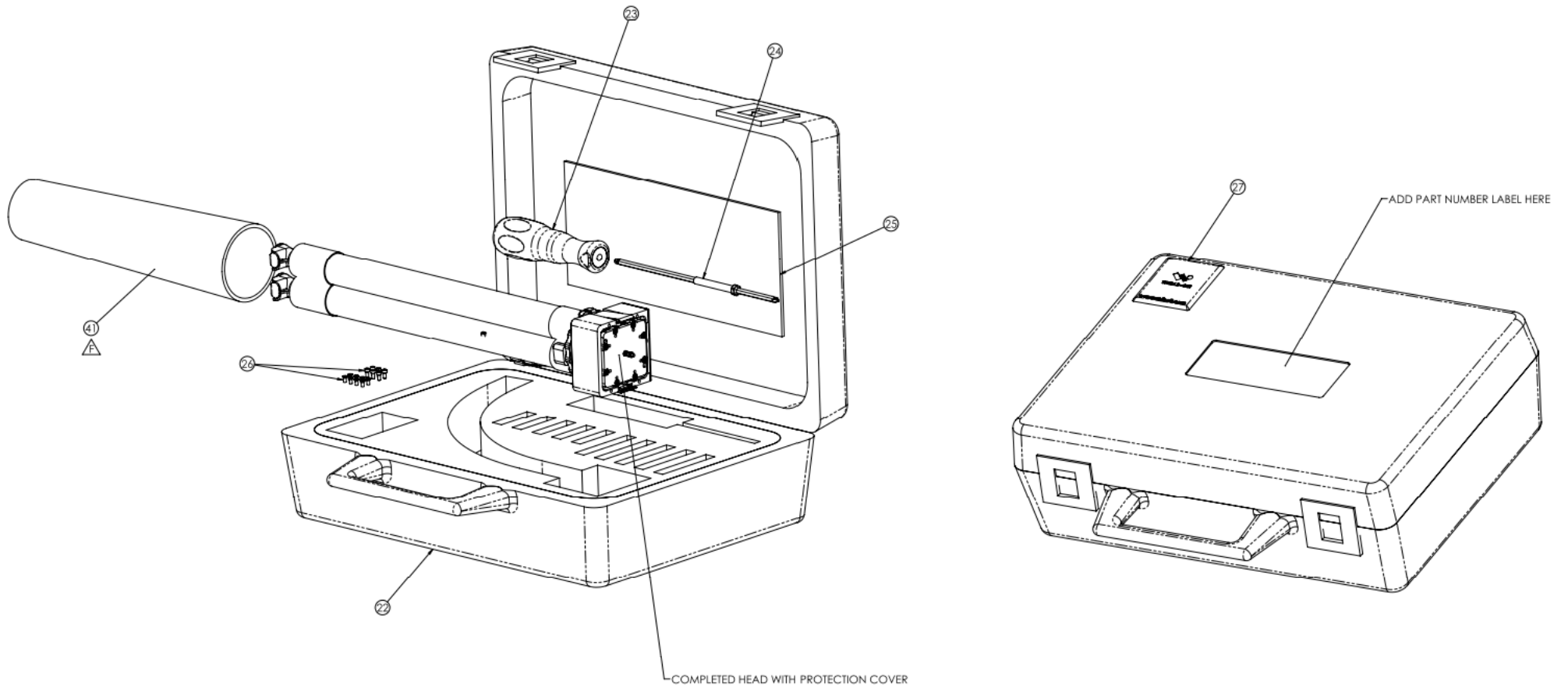


Description: Thermal Socket Lid

Primary dimension units are millimeters, Secondary dimension units are [inches].

Tolerances: Hole diameters $\pm 0.03\text{mm}$ [$\pm 0.001''$], Pitches (from true position) $\pm 0.025\text{mm}$ [$\pm 0.001''$], substrate thickness tolerance $\pm 10\%$, all other tolerances $\pm 0.13\text{mm}$ [$\pm 0.005''$] unless stated otherwise. Materials and specifications are subject to change without notice.

 <p>TSL-ST-01 Drawing Ironwood Electronics, Inc. Tele: (800) 404-0204 www.ironwoodelectronics.com</p>	<p>Material: Finish: Weight:</p>	STATUS: Released	SHEET: 1 OF 5	REV. A
		DRAWN BY: E. Smolentseva	SCALE: 1:1	
		FILE: TSL-ST-01	DATE: 2/17/12	



Description: Thermal Socket Lid

Primary dimension units are millimeters, Secondary dimension units are [inches].

Tolerances: Hole diameters $\pm 0.03\text{mm}$ [$\pm 0.001''$], Pitches (from true position) $\pm 0.025\text{mm}$ [$\pm 0.001''$], substrate thickness tolerance $\pm 10\%$, all other tolerances $\pm 0.13\text{mm}$ [$\pm 0.005''$] unless stated otherwise. Materials and specifications are subject to change without notice.

TSL-ST-01 Drawing



Ironwood Electronics, Inc.
 Tele: (800) 404-0204
 www.ironwoodelectronics.com

Material:
 Finish:
 Weight:

STATUS: Released

DRAWN BY: E. Smolentseva

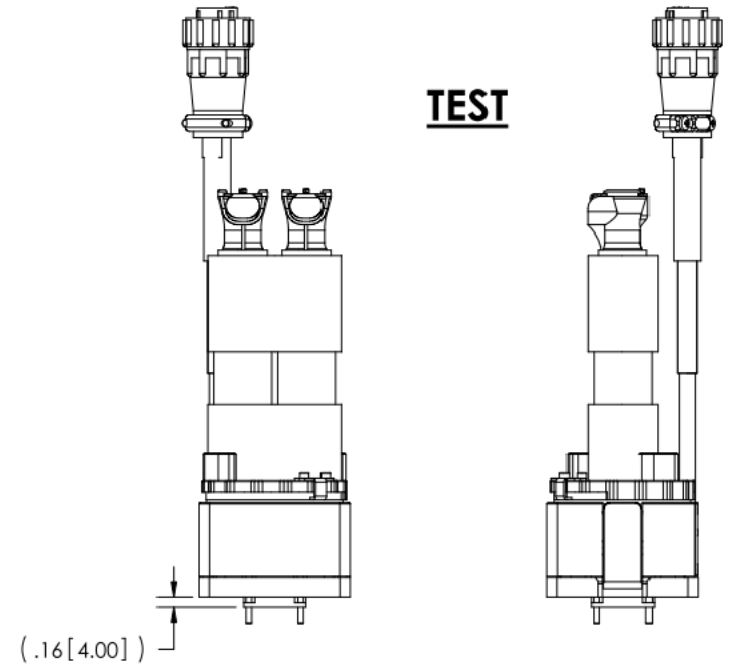
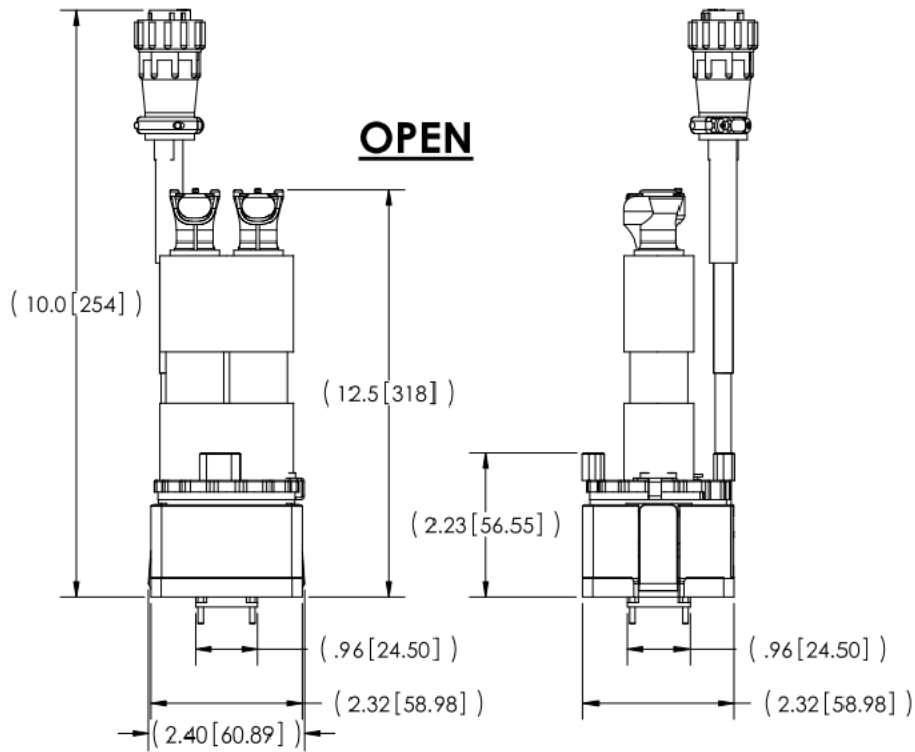
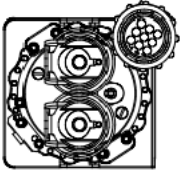
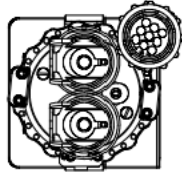
FILE: TSL-ST-01

SHEET: 2 OF 5

SCALE: 1:1

DATE: 2/17/12

REV. A



Description: Thermal Socket Lid

Primary dimension units are millimeters, Secondary dimension units are [inches].

Tolerances: Hole diameters $\pm 0.03\text{mm}$ [± 0.001 "], Pitches (from true position) $\pm 0.025\text{mm}$ [± 0.001 "], substrate thickness tolerance $\pm 10\%$, all other tolerances $\pm 0.13\text{mm}$ [± 0.005 "] unless stated otherwise. Materials and specifications are subject to change without notice.

TSL-ST-01 Drawing



Ironwood Electronics, Inc.
Tele: (800) 404-0204
www.ironwoodelectronics.com

Material:
Finish:
Weight:

STATUS: Released

DRAWN BY: E. Smolentseva

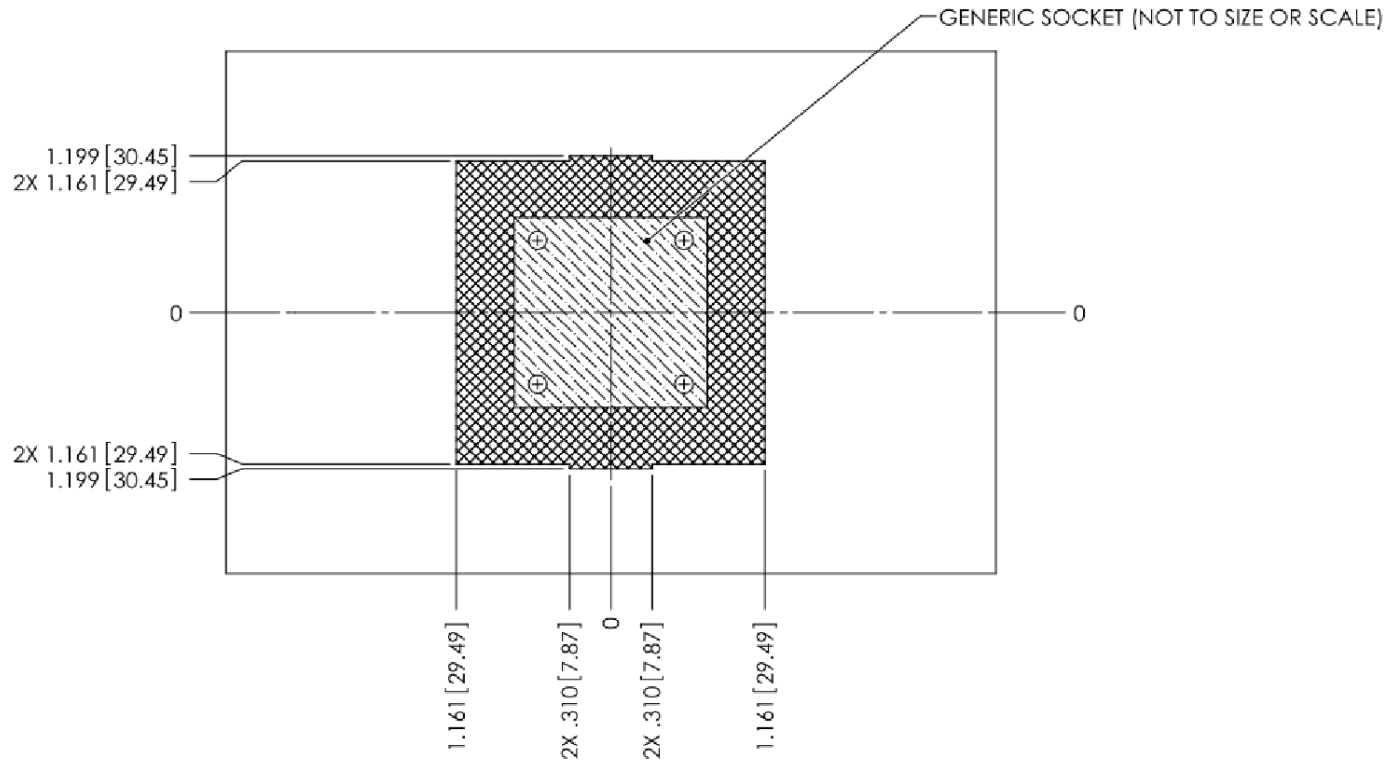
FILE: TSL-ST-01

SHEET: 3 OF 5



SCALE: 1:1

DATE: 2/17/12

REV. A



LEGEND:

-  SOCKET KEEPOUT - SEE SOCKET DRAWING FOR SPECIFIC DETAILS.
-  COMPONENT KEEPOUT - MAXIMUM HEIGHT = SOCKET HEIGHT:
VALUE "A3" FROM CUSTOMER REQUIREMENTS WORKSHEET(PAGE5)


1. MAINTAIN A MINIMUM OF .02[.5] CLEARANCE FROM ALL KEEPOUT AREAS.

NOTES, UNLESS OTHERWISE SPECIFIED:

Description: Thermal Socket Lid

Primary dimension units are millimeters, Secondary dimension units are [inches].

Tolerances: Hole diameters $\pm 0.03\text{mm}$ [$\pm 0.001''$], Pitches (from true position) $\pm 0.025\text{mm}$ [$\pm 0.001''$], substrate thickness tolerance $\pm 10\%$, all other tolerances $\pm 0.13\text{mm}$ [$\pm 0.005''$] unless stated otherwise. Materials and specifications are subject to change without notice.


 <p>TSL-ST-01 Drawing Ironwood Electronics, Inc. Tele: (800) 404-0204 www.ironwoodelectronics.com</p>	<p>Material: Finish: Weight:</p>	STATUS: Released	SHEET: 4 OF 5	REV. A
		DRAWN BY: E. Smolentseva	SCALE: 1:1	
		FILE: TSL-ST-01	DATE: 2/17/12	

Rev	Date	Initials	Description
A	-	-	Original

Description: Revision History

Primary dimension units are millimeters, Secondary dimension units are [inches].

Tolerances: Hole diameters $\pm 0.03\text{mm}$ [$\pm 0.001"$], Pitches (from true position) $\pm 0.025\text{mm}$ [$\pm 0.001"$], substrate thickness tolerance $\pm 10\%$, all other tolerances $\pm 0.13\text{mm}$ [$\pm 0.005"$] unless stated otherwise. Materials and specifications are subject to change without notice.

 TSL-ST-01 Drawing Ironwood Electronics, Inc. Tele: (800) 404-0204 www.ironwoodelectronics.com	Material: Finish: Weight:	STATUS: Released	SHEET: 5 OF 5	REV. A
		DRAWN BY: E. Smolentseva	SCALE: 1:1	
		FILE: TSL-ST-01	DATE: 2/17/12	